



Hansgrohe
Memo to the trade

Planning and Installation

Design and pleasure galore: the new Hansgrohe Ecostat[®] Select



**Pure Shower Fun
in its finest form**
Raindance® Select Showerpipe 360

The best way to have fun with water.

We are passionate about working with water. It fascinates and inspires us. For this reason all of our technological innovations have the same objective: to combine pleasure and convenience. As a bathroom specialist you can pass on our brand philosophy and the quality of our products directly to your customers.



Ecostat® Select
History

Hansgrohe redefined the thermostat.

Thermostats have significant advantages over twin handle or single lever mixers – from convenience, through safety to design. Hansgrohe has many years of experience with thermostats, which helped us develop the new generation Ecostat Select: a design revolution in the thermostat sector.



The Ecostat Select offers superior comfort in terms of operation and installation, and it is safe and visually appealing.

Revolutionary advantages for your customers.

The Ecostat Select brings change to the bathroom: it combines an elegant appearance with superior comfort and safety. The expansive surface is easy to clean, appealing in its design and offers space for the placement of shower gel or shampoo bottles.

The large handles are easy to operate, even with soapy hands. The thermostat is thermally protected, which prevents the housing from heating up. And despite all these benefits, one thing always remains the same: the chosen temperature. It remains constant, even when the flow rate or the water pressure in the pipe changes.



This is what your customers get from the new Ecostat® Select:

- A visual highlight in the bathroom
- Superior safety for the user
- Safe to use for all age groups



Ecostat® Select

Advantages for
the consumer

Comfort and design for everyone.



A visual highlight in the bathroom

- An eye-catcher in the bathroom: the Ecostat Select revolutionises the market with its clever construction and creates a pleasant atmosphere in the bathroom with its unique design.



Thermostat doubles as a shelf

- Both visually attractive and space-saving: the Ecostat Select's generously proportioned shelf offers ample space for all necessary shower utensils.



Superior safety for the user

- The safety of the Ecostat Select is present in every detail. The housing is thermally protected, which prevents the thermostat surface from getting hot. The rounded edges prevent injuries, and the safety stop at 40 °C protects against scalding.



Water-saving made easy

- To save water and money, the Ecostat Select automatically restricts the flow of water. If desired, the EcoStop control makes it possible to increase or decrease the water flow – at the simple touch of a button.



Safe to use for all age groups

- Intuitive, abrasion-proof symbols simplify the operation of the Ecostat Select. The optimised handle shape allows for safe operation.



Easy to clean

- The Ecostat Select's housing is completely sealed, which prevents dirt from getting inside the thermostat. Its smooth surface can be cleaned with comfort and ease.

Applies to all Raindance® overhead showers:



- Thermostat doubles as a shelf

- Water-saving made easy

- Easy to clean

Versatile and easy to install.

Whether in the shower or bath tub: as part of a complete system such as the Hansgrohe Showerpipe, the Ecostat Select is versatile and easy to install. Its elegant design and superior ease of operation, make it the ideal choice.

Raindance® Select Showerpipe 360 for the shower

With the new Ecostat Select, Hansgrohe now provides even more comfort in the shower. All individual elements such as overhead shower, hand shower and thermostat are combined in one single system which can be installed in the shower quickly and easily.



Raindance® Select Showerpipe 360 for the bath tub

The Ecostat Select also works in the bath tub – for example with the new Raindance Showerpipe. Just a few simple steps are required to replace the old mixer with the new Showerpipe.





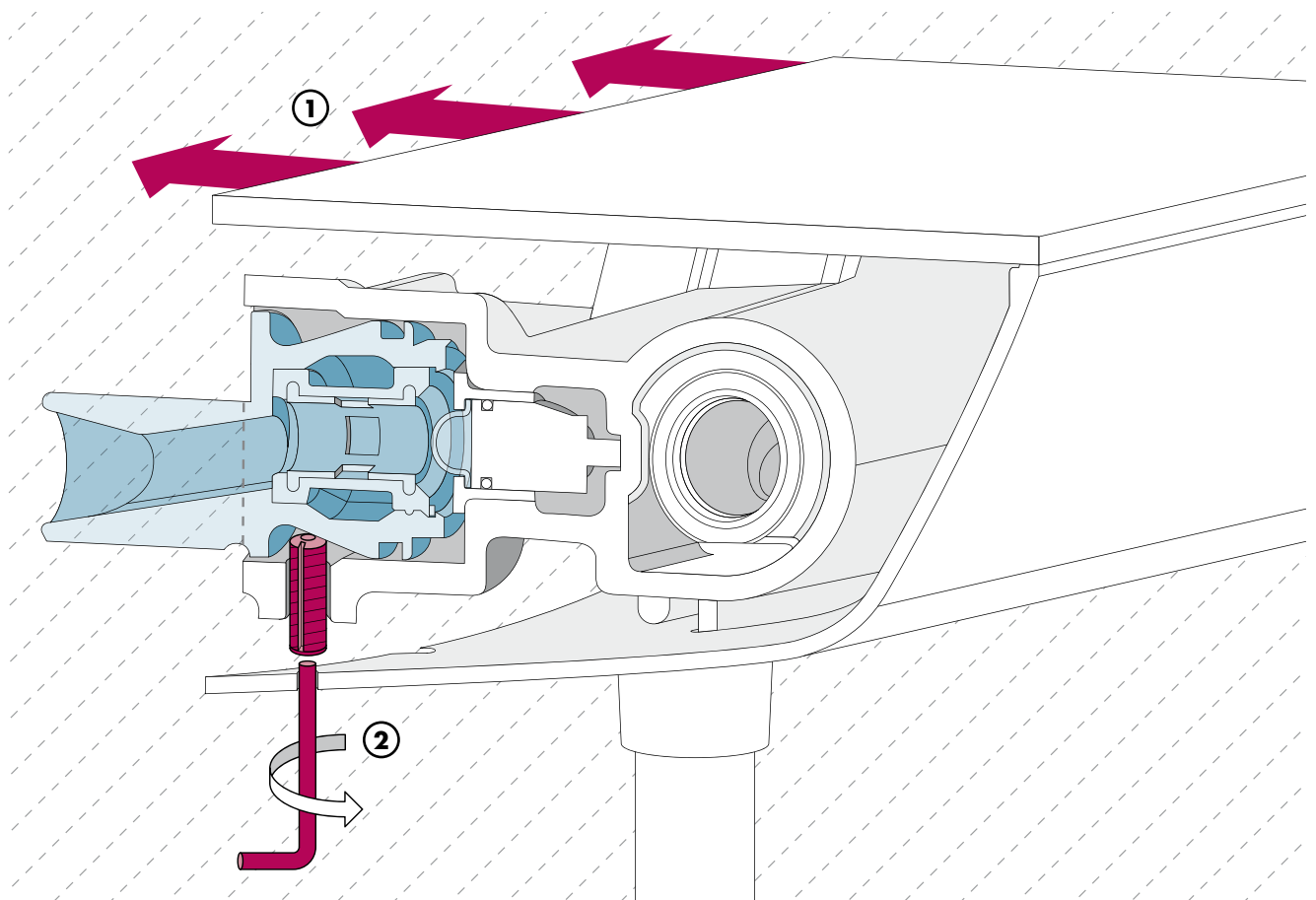
Ecostat® Select

Applications

Advantages for the plumber

This thermostat makes your life easier.

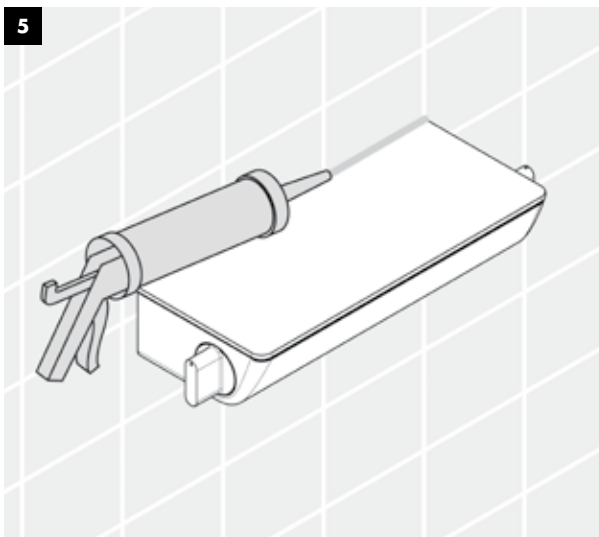
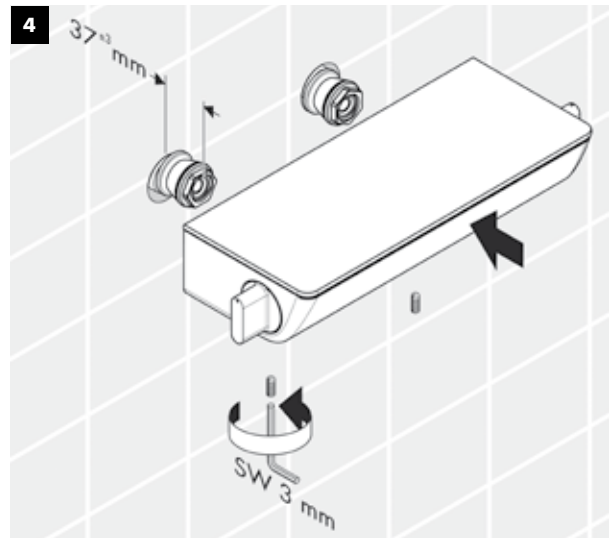
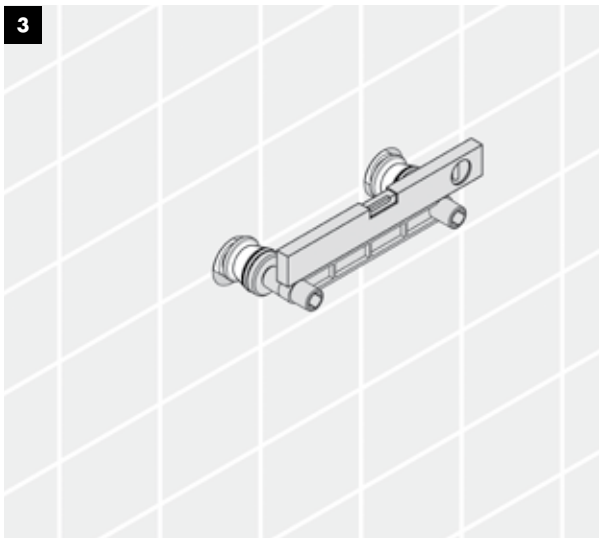
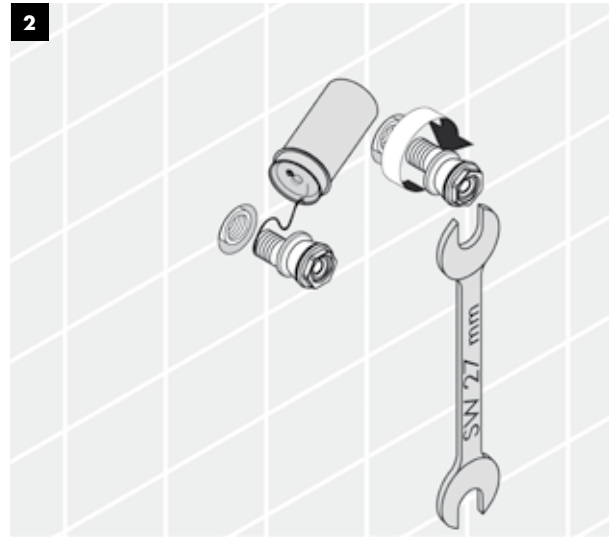
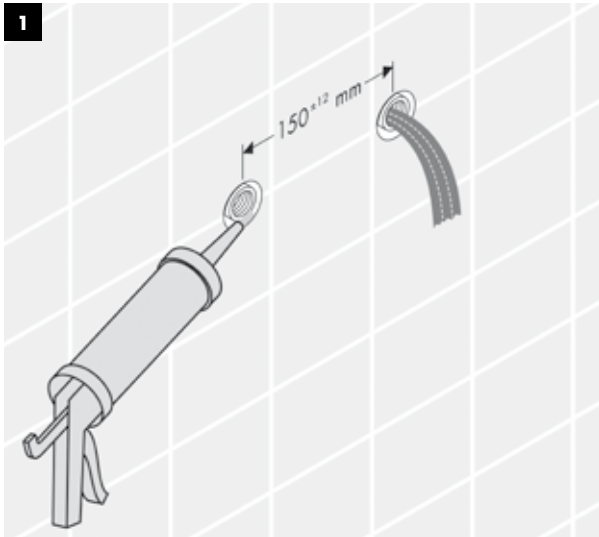
Save plenty of time and effort: Simply push the unit over the hot and cold inlet unions and tighten up the grub screw on either side. The click-on handles can easily be removed for maintenance or a cartridge change. If you want to do everything right in the bathroom, choose our new Ecostat Select.



As a bathroom specialist, this is what you get from the new Ecostat® Select:

- Grub screw connection ensures simple, fast and safe installation.
- Avoid scratching the housing: the screw connection is at the base of the Ecostat Select's housing.
- Maintenance-friendly access to cartridge, filters and non-return valves.

Installation instructions

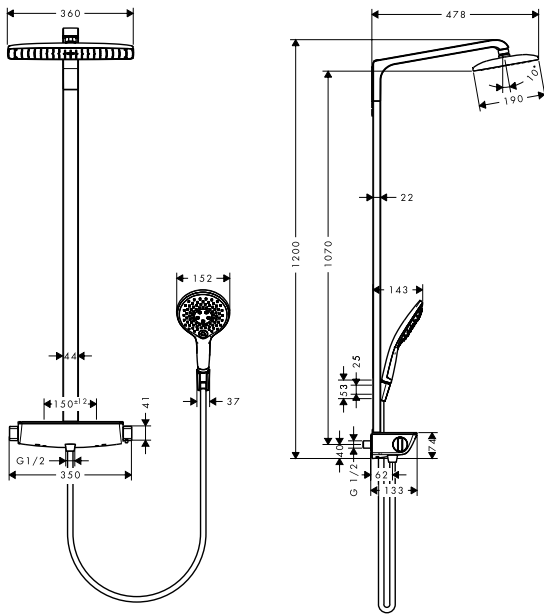




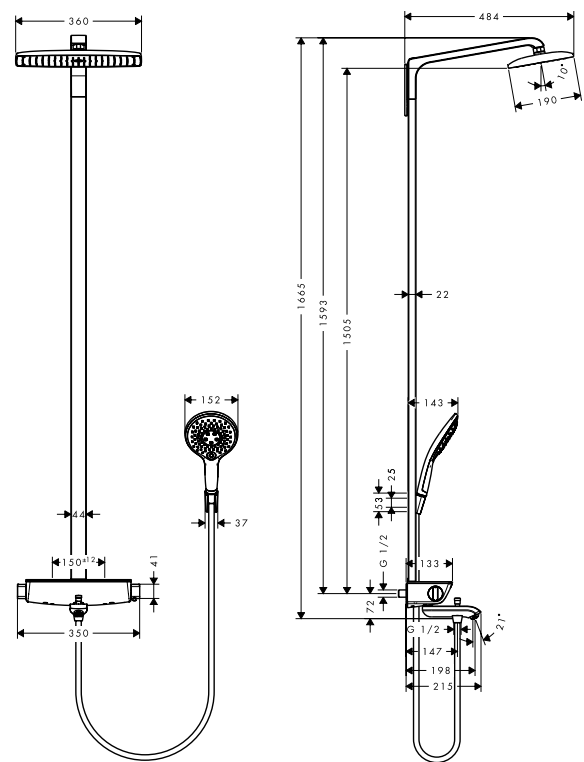
Ecostat® Select
Installation
Technical specifications

Technical specifications and scale drawings

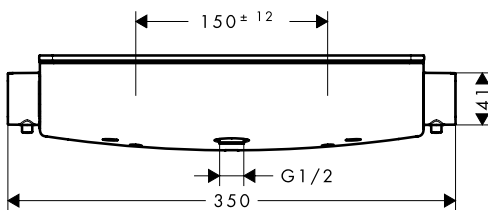
Ecostat® Select Technical specifications



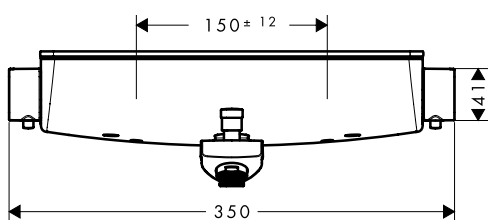
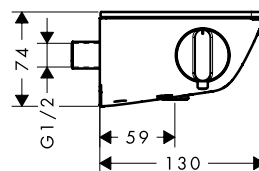
Raindance® Select Showerpipe 360 for the shower



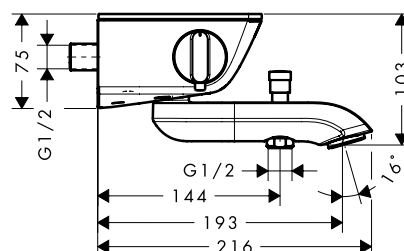
Raindance® Select Showerpipe 360 for the bath tub



Ecostat® Select for the shower



Ecostat® Select for the bath tub



Product overview

Ecostat® Select
for the shower,
exposed installation



Shelf, reflective chrome # 13161000
Shelf, white # 13161400

Ecostat® Select
for the bath tub,
exposed installation



Shelf, reflective chrome # 13141000
Shelf, white # 13141400



Raindance® Select Showerpipe 360 for the shower

Shelf, reflective chrome # 27112000
Shelf, white # 27112400



Raindance® Select Showerpipe 360 for the bath tub

Shelf, reflective chrome # 27113000
Shelf, white # 27113400



Raindance® Ecostat® Select

Combi 0,90 m # 27057000
Combi 0,65 m # 27059000



Ecostat® Select
Product overview

Hansgrohe for Professionals

We are partners

Hansgrohe supports the professional partners through a wide range of services.

Make sure to benefit from our comprehensive knowledge.



Find out more on our website:
pro.hansgrohe-int.com

With the thermostats of the Ecostat Select series Hansgrohe sets new standards. Whether in the shower or the bath tub: elegant design, superior ease of operation and a high level of safety provide carefree pleasure in the bathroom.

Thanks to its unique design, the Ecostat Select is a visual highlight – and also a perfect shelf for your shower items. It's designed to provide comfort and carefree pleasure in both shower and bath tub: large handles, intuitive symbols, and no fluctuations in water temperature.

Sophisticated protection mechanisms prevent the accidental choice of scalding temperatures and ensure that the thermostat housing doesn't get hot. In addition, the rounded edges of the impact-proof glass surface provide a high level of safety for the user. This new way of showering is completed by combining the Ecostat Select with the Raindance Select 360 Showerpipe – for perfect pleasure from head to toe.

We did our utmost to ensure that the printing of this brochure was friendly to the environment. By using a new kind of paper we were able to reduce the CO₂ emissions for the production process by more than 30%. You too can contribute to the protection of our environment by passing on the brochure to others when you've finished reading it, or by recycling it.



Brasil – Hansgrohe Brasil · info@hansgrohe.com.br · www.hansgrohe.com.br

Germany – Hansgrohe · Postbox 1145 · D-77757 Schiltach · Tel. +49 78 36 51-0
Fax +49 78 36 51-13 00 · info@hansgrohe.com · www.hansgrohe.com

Singapore – Hansgrohe Pte. Ltd. · 69 Mohamed Sultan Road · Singapore 239015 · Tel. +65 6884 5060
Fax +65 6884 5070 · info@hansgrohe.com.sg · www.hansgrohe.com.sg

South Africa – Hansgrohe South Africa (Pty) Ltd. · P.O Box 2912 · 136 Walton Road · Carlswald Midrand
ZA-1685 Halfway House · Tel. +27 11 468 11-50 · Fax +27 11 468 11-52 · sales@hansgrohe.co.za · www.hansgrohe.co.za