

Guidelines of Implementation for EDIFACT SUBSET

**EDITEC
Orders**



Deutscher Großhandelsverband Haustechnik e.V.



ARGE Neue Medien



ORDERS / D.96B

Zu Version 3.3 / November 2005

Table of Contents of the Subset, Orders“

1 INTRODUCTION	2
2 INSTRUCTIONS FOR USAGE/APPLICATION.....	3
3 MESSAGE STRUCTURE DIAGRAM.....	4
4 MESSAGE STRUCTURE OF THE SUBSET	5
UNA K 1 Presetting of Separators	5
UNB M 1 Usage Data Head Segment.....	6
UNH M 1 Message Head Segment.....	8
BGM M 1 Beginning of the Message	9
DTM M 2 Date/Time/Period Data.....	11
IMD K 1 Description of the Message	12
FTX K 2 Free Text.....	13
RFF M 1 Reference Data	14
NAD M 1 Name und Address.....	15
CTA M 1 Communication Partner/Contact Person	17
CUX M 1 Currency Data	18
TDT M 1 Transport data.....	19
TOD M 1 Terms of Delivery	20
LOC K 1 Location Data	21
ALC M 1 Additional Charges and Discounts.....	22
PCD M 1 Percentage Rate Data.....	23
MOA M 1 Amount of Money.....	24
LIN M 1 Position/Line Item Data.....	25
IMD K 10 Description of the Position/Line Item	26
QTY K 1 Quantity	28
DTM K 1 Date/Time/Period Data.....	29
PRI M 1 Price Data.....	30
RFF M 1 Reference Data	32
ALC M 1 Additional Charges and Discounts.....	33
PCD M 1 Percentage Rate Data.....	34
MOA M 1 Amount of Money.....	35
UNS M 1 Section Control Segment.....	36
UNT M 1 Message End Segment	36
UNZ M 1 User Data End Segment	36

1 Introduction

The guidelines of implementation at hand concern the EDIFACT-Subset „Orders“. They were provided by ITEK on behalf of the Arbeitsgemeinschaft Neue Medien der deutschen Sanitär-industrie e.V. and the Deutscher Großhandelsverband Haustechnik e.V.

With the EDIFACT Subset ORDERS, the order data of the wholesale trade are transferred to the producer in respect in a quick, safe and economic manner. This is a description of the subset and the guidelines of implementation. It normalises and standardises the process of electronic order data transfer from trade to industry.

By means of the uniform use of the order data on the part of the wholesale trade, and by the uniform processing of this data on part of the industry, the security necessary for the process is provided for both sender and recipient.

The individual guidelines of implementation are given at the end of each segment and are stressed by colour. If you pay adherence to the guidelines of implementation, you will achieve the uniform processing of your order data and gain the security necessary for the process. For this reason, the uniform use of order data in terms of the guidelines of implementation is mandatory for the uniform processing of your orders on part of the suppliers.

ITEK

Technologiepark 19
33100 Paderborn

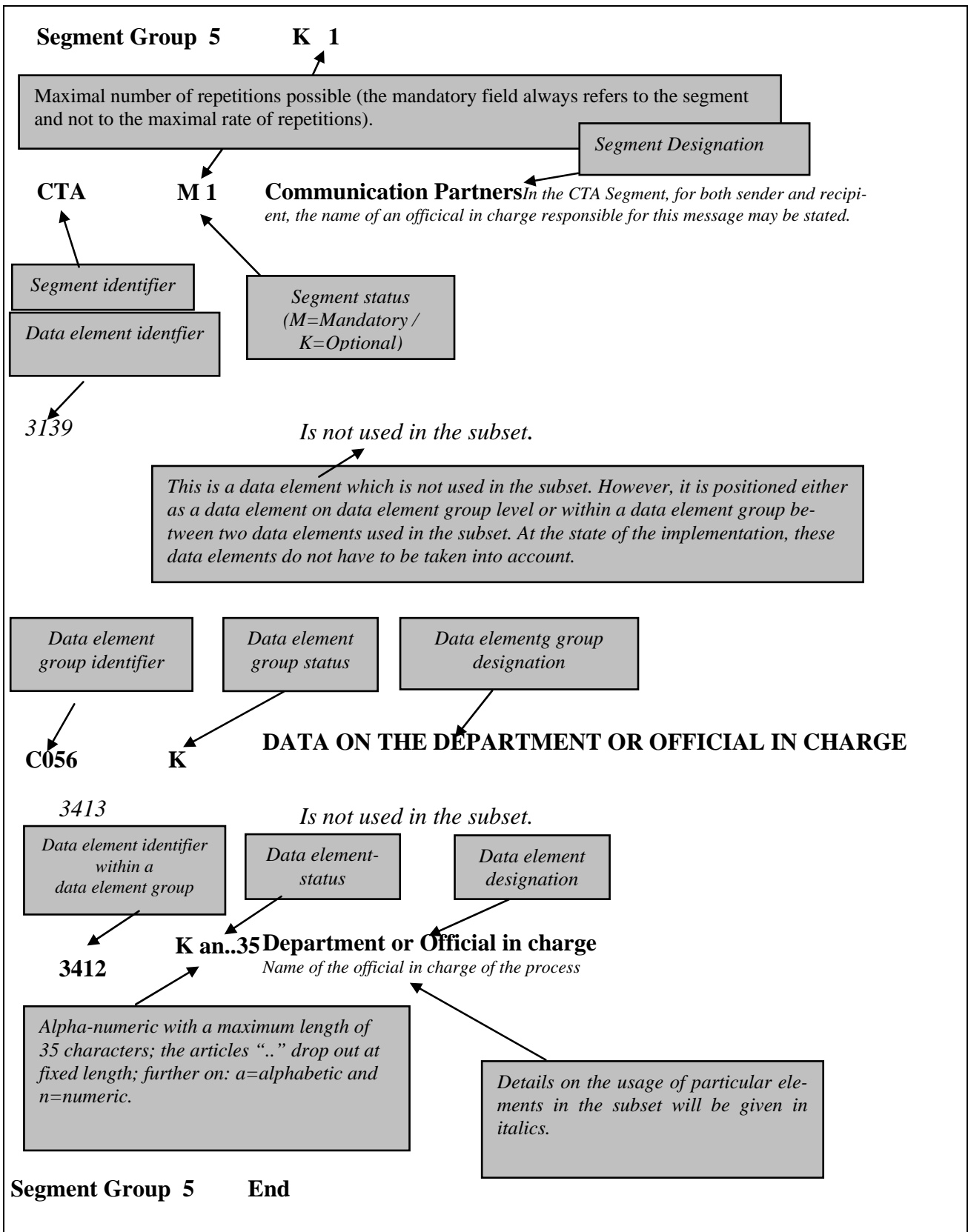
Telephone: (0 52 51) 16 14 –0
Facsimile: (0 52 51) 16 14 –99
E-Mail: editec@itekmbh.de

The EDIFACT Subset is based on the EDIFACT-Syntax-Version 3 and the following public documents:

- EDIFACT – Standardised message type „ORDERS“
- UN/EDIFACT Directory 96B, UN/ECE/TRADE/WP.4
- EDIFACT- Application service segments, draft DIN 16560-Part 1, February 1994
- UN/EDIFACT code list D.97A

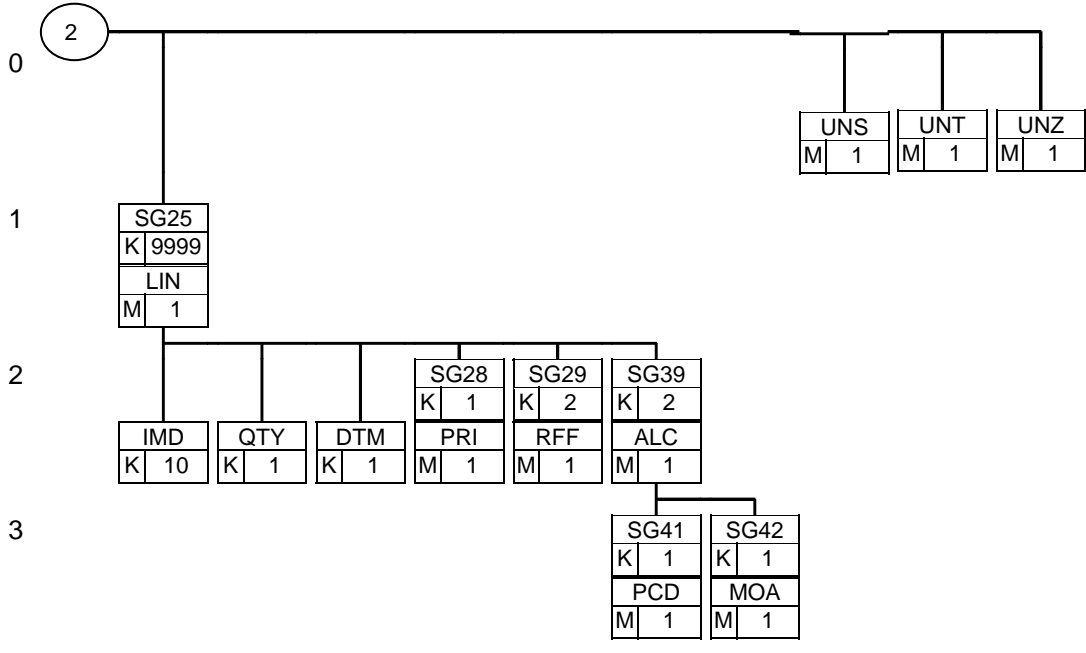
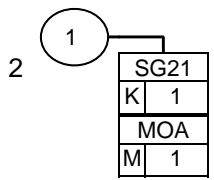
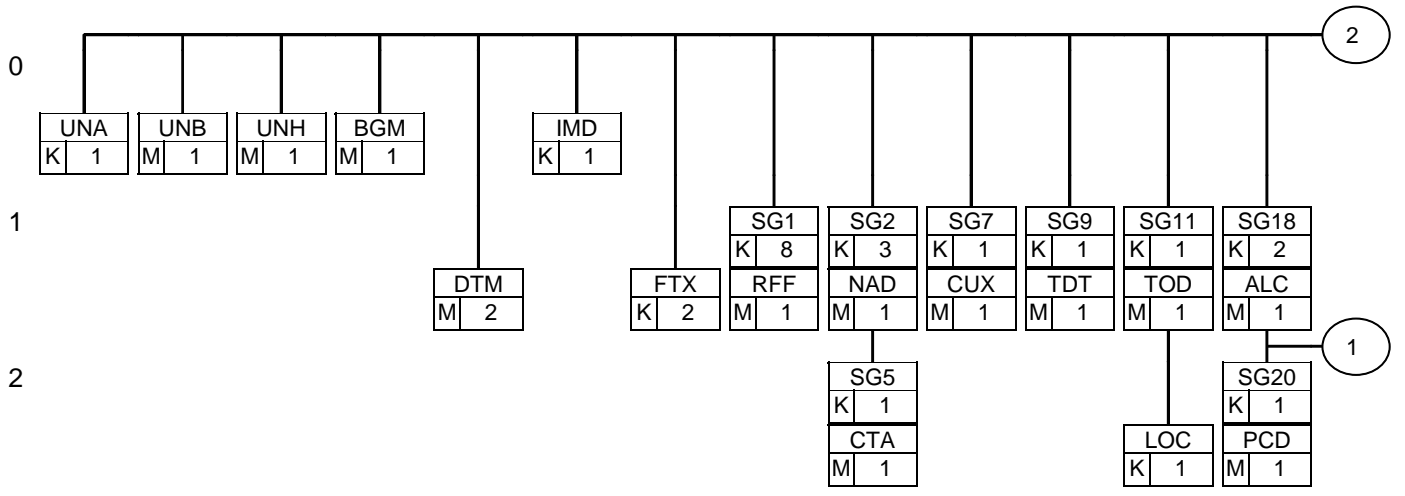
Paderborn, November 2005

2 Instructions for Usage



3 Message Structure Diagram

The following illustration shows the message structure of the subset „Orders“ with segment status and at a maximum rate of repetition.



4 Message Structure of the Subset

UNA K 1 Presetting of Separators

In the UNA-Segment, separators, decimal marks and release indicators are predefined. It is defined only once and applies to the following messages until it is revoked. Consequently, it won't be transferred furthermore.

If needed, value: ":+,? "

: separates data elements in a data element group

+ separates segment designations, data element groups and data elements

, Decimal marker (comma)

? Release indicators, restores the original meaning of the mark that follows the release indicator.

Blank space/space character, reserved for later applications

' Segment terminator

UNB	M 1	Usage Data Head Segment <i>The UNB-Segment transfers data concerning syntax, sender/recipient of the interchange file, date and time of its creation, and a data exchange reference. Optionally, a password for the recipient may be included in the transfer as well.</i>						
S001	M	SYNTAX DESIGNATOR						
0001	M a4	Syntax Identifier <i>Constant value:</i> <table border="1" data-bbox="486 607 1449 645"><tr><td>„UNOC“</td><td><i>EDIFACT- Version C</i></td></tr></table>	„UNOC“	<i>EDIFACT- Version C</i>				
„UNOC“	<i>EDIFACT- Version C</i>							
0002	M n1	Syntax Version Number <i>Constant value:</i> <table border="1" data-bbox="486 770 1449 808"><tr><td>„3“</td><td><i>EDIFACT-Syntax Version 3</i></td></tr></table>	„3“	<i>EDIFACT-Syntax Version 3</i>				
„3“	<i>EDIFACT-Syntax Version 3</i>							
S002	M	SENDER OF THE INTERCHANGE FILE						
0004	M an..35	Sender Designation <i>Sender Identifier (e. g. identification number in Telebox400)</i>						
0007	K an..4	Participant designation, Qualifier <i>This data element serves the definite specification of the participants. The following codes are available:</i> <table border="1" data-bbox="486 1211 1449 1346"><tr><td>„52“</td><td><i>Sender IBM/IE User</i></td></tr><tr><td>„65“</td><td><i>Sender Telebox400 User</i></td></tr><tr><td>„ZZZ“</td><td><i>Sender (other network operators)</i></td></tr></table>	„52“	<i>Sender IBM/IE User</i>	„65“	<i>Sender Telebox400 User</i>	„ZZZ“	<i>Sender (other network operators)</i>
„52“	<i>Sender IBM/IE User</i>							
„65“	<i>Sender Telebox400 User</i>							
„ZZZ“	<i>Sender (other network operators)</i>							
S003	M	RECIPIENT OF THE INTERCHANGE FILE						
0010	M an..35	Recipient Designation <i>Recipient Identifier (e. g. identification number in Telebox400)</i>						

0007 K an..4 Recipient Designation, Qualifier

This data element serves the definite specification of the participants. The following codes are available:

„52“	Sender IBM/IE User
„65“	Sender Telebox400 User
„ZZZ“	Sender (other network operators)

S004 M DATE/TIME OF CREATION

0017 M n6 Date of Creation

Date of creation of the message by the sender in the format “YYMMDD“. (This format is prescribed according to the EDIFACT Usage Guideline for Service Segments).

0019 M n4 Time of Creation

Format: HHMM

0020 M an..14 DATA INTERCHANGE REFERENCE

Number for each communication address (X.400, Provider, ...) and message/data type, consistently rising in ascending order. The data exchange reference number serves as a plausibility test for the assessment of double transmissions and failed transmissions. This task is being fulfilled by the converter.

S005 K REFERENCE/PASSWORD OF THE RECIPIENT

0022 M an..14 Reference or password of the recipient

A password permits the access to the network or user system of the recipient. The Sender and recipient may agree upon a password bilaterally.

UNH	M 1	Message Head Segment <i>In the UNH-Segment, a message is identified definitely. The EDITEC Subset "Orders" is based on the message type "ORDERS".</i>		
0062	M an..14	MESSAGE REFERENCE NUMBER <i>In each transfer file, every message is consistently numbered in ascending order, beginning with „1“. This task is being taken over by the converter.</i>		
S009	M	MESSAGE IDENTIFIER		
0065	M an..6	Message Type Identifier <i>Constant value:</i> <table border="1" data-bbox="486 772 1449 817"> <tr> <td>„ORDERS“</td> <td>Order</td> </tr> </table>	„ORDERS“	Order
„ORDERS“	Order			
0052	M an..3	Version Number of the Message Type <i>Constant value:</i> <table border="1" data-bbox="486 936 1449 981"> <tr> <td>„D“</td> <td>Draft Directory (Directory Draft)</td> </tr> </table>	„D“	Draft Directory (Directory Draft)
„D“	Draft Directory (Directory Draft)			
0054	M an..3	Release Number of the Message Type <i>Constant value:</i> <table border="1" data-bbox="486 1099 1449 1144"> <tr> <td>„96B“</td> <td>UN/EDIFACT Draft Directory D.96B</td> </tr> </table>	„96B“	UN/EDIFACT Draft Directory D.96B
„96B“	UN/EDIFACT Draft Directory D.96B			
0051	M an..2	Administrative Organisation, encoded <i>Constant value:</i> <table border="1" data-bbox="486 1263 1449 1308"> <tr> <td>„UN“</td> <td>United Nations UN/ECE/TRADE/WP.4</td> </tr> </table>	„UN“	United Nations UN/ECE/TRADE/WP.4
„UN“	United Nations UN/ECE/TRADE/WP.4			
0057	K an..6	Operational Code of the Organisation in Charge <i>Constant value:</i> <table border="1" data-bbox="486 1426 1449 1471"> <tr> <td>„ITEK33“</td> <td></td> </tr> </table>	„ITEK33“	
„ITEK33“				

BGM M 1 Beginning of the Message

In the BGM-Segment, the purpose and name of the message are defined.

Smallest orders may be collected all along the day and then may be transferred in a singular process of transmission (e. g. all orders as attachments of one mail), without suffering from any disadvantage as far as the conditions are concerned. Each of these singular orders will be marked as a omnibus order in the BGM. By using the REF-Segment, these orders will be linked by an additional number for the omnibus order. Even without the interpretation of this number, the conditions for the collectively transferred orders will apply.

C002 K DOCUMENT-/MESSAGE NAME

1001 K an..3 Document/Message Name, encoded

The following codes are available:

„120“	<i>Order (stock order)</i>
„220“	<i>Customer order at the wholesaler's</i>
„221“	<i>Call-off order</i>
„226“	<i>Partial call-off order</i>
„227“	<i>Order on commission (only one customer commission per order)</i>
„228“	<i>Exhibition order</i>
„126“	<i>Third-party order</i>
„YA8“	<i>Exceptional order</i>
„248“	<i>Open purchase order quantity of the wholesale trade</i>
„447“	<i>Omnibus order, marks an order as an omnibus order, which will be transferred together with other orders of this omnibus order. The number for the omnibus order will be transferred in the RFF-Segment.</i>

C106 K DOCUMENT/MESSAGE IDENTIFICATION

1004 K an..35 Document/Message Number

Order number of the wholesale trader.

Implementation Note:

With the codes defined in the BGM-Segment, you indicate the type of your order. By means of these codes, the industry is able to specifically direct the automatic processing of your order data and secure the desired way of processing. The codes have the following meanings for the processing on part of the producers:

120	Order (stock order)	Via his code you mark your order as a stock order. This means that the order contains exclusively articles intended for stock.
227	Order on commission	Via this code you mark your order as an order on commission. This means the order contains exclusively articles that can be assigned to a commission.
228	Exhibition order	Via this code you mark your order as an exhibition order. This means the order contains exclusively articles intended for the exhibition. Via these codes, the producer is able to logistically separate stock orders and orders on commission, to pack them separately to the order and mark them accordingly.
220	Customer Order	Wholesaler
221	Call-off order	Via this code, orders on call/call-off orders may be ordered at the producer's.
226	Partial call-off order	Via this code, partial call-off orders from call-off orders may be executed.
126	Third-party order	Orders which shall be delivered directly to a plumber or to a building site and not to the address of the wholesale trader can be placed via this code.
YA8	Exceptional order	In case of an exception/exceptional order, on part of the producers, the order is taken out of the automatic processing and placed in the work flow distribution indoor service. Usually, these orders contain especially negotiated conditions, which the header texts have to point at. This way, also special orders referring to special offers can be transferred safely via EDIFACT. The special conditions are read from the header texts and can be adopted after verification.
447	Omnibus order	Due to minimum order values, omnibus orders were often collected all along the day. In the evening, they were send via facsimile as an omnibus order with a cover sheet. The code for omnibus orders was thus introduced to execute the same process via EDIFACT. In case of omnibus orders, small orders can still be collected along the day. Then, in the evening, they can be send in an interchange file (not intermingled with other orders) via EDIFACT and the code "447". Each small order has its proper order number. The omnibus order number in the RFF-Segment serves as a mark of identification and also to encompass these orders. Only orders with an omnibus order number may be content of the interchange file.
220	Customer order at the wholesale trade	Here, within the framework of the LOGHIN-Process, the wholesale trade is given the possibility to transfer his open customer orders to the producer at a certain date for the purpose of information. See implementation guideline INVRPT.
248	Open purchase order quantity of the wholesale trade	See Implementation Guideline INVRPT (LOGHIN Process.)

DTM M 2 Date/Time/Period Data

In the DTM-Segment the purchase order date has to be transferred at the least. In addition, information concerning the wished for date of delivery of the whole order may be given.

C507 M DATE/TIME/PERIOD DATA**2005** M an..3 Date/Time/Period Data, Qualifier

The following codes are available:

„4“	<i>Purchase order date</i>
„2“	<i>Delivery date</i>
„17“	<i>Appointed delivery date</i>

2380 K an..35 Date/Time/Period Data

Date, formatted as stated in data element 2379.

2379 K an..3 Date/Time/Period Data, Format, Qualifier

The following codes are available:

„102“	<i>YYYYMMDD</i>
„616“	<i>YYYYWW (week of delivery)</i>
„203“	<i>YYYYMMDDHHMM (year, month, day, hour, minute)</i>

Implementation Note:

The “delivery date” is defined as the date of the arrival of the goods. It is recommended to transfer date in the format YYYYMMDD. The supplier is not bound to the delivery date stated in the order. The actual date of delivery is the date of the next tour or the date stated in the order acceptance.

IMD K 1 **Description of the Message**
Im IMD-Segment kann eine Bestellung als Eil- und/oder Volllieferung gekennzeichnet werden.

7077 *IS NOT USED IN THE SUBSET.*

7081 *IS NOT USED IN THE SUBSET.*

C273 K **DESCRIPTION OF THE MESSAGE**

7009 K an..17 **Description of the Line Item**

The following codes are available:

„EL“	<i>Express delivery (fastest dispatch type sequence possible is preferred for processing)</i>
„VL“	<i>Full delivery (complete delivery)</i>
„EV“	<i>Express delivery & full delivery</i>

1131 *Is not used in the subset.*

3055 K an..3 **Administrative Organisation, encoded**

Constant value:

„89“	<i>Administrative Organisation ITEK</i>
------	---

Implementation Note:

EL	Express delivery	Order with the marker EL will not be send by the producer with the next our or stock delivery. Instead, they are commissioned immediately and sendt by the fastest dispatch type sequence (usually parcel service).
VL	Full delivery	The order will not be send by the producer until the full quantity of all order items can be delivered.
EV	Express delivery & Full delivery	A combination of Express delivery and complete/full delivery applies here.

FTX K 2 Free Text

In the FTX-Segment an additional text concerning the order and a notification text for the forwarding agent may be transferred. If possible, this segment should not be used, since it necessitates a manual processing of the message.

4451 M an..3 TEXT, QUALIFIER

The following codes are available:

„ORI“	Additional text concerning the order
„DIN“	Notification text for the forwarding agent

Implementation Note:

ORI	Additional text concerning the order	The processing of EDIFACT orders of the wholesale trade is usually executed fully automatically. This means that the free texts concerning the order are not registered when processing the order. For this reason, one abstain from transmitting free order texts. These texts do only make sense in the case of special orders in combination with the Qualifier YA8 in the BGM-Segment. EDIFACT orders with the Qualifier YA8 are taken out of the automatic processing and placed in the work flow distribution indoor service. Here, the special conditions referred to in the free order text are read, verified and processed within the frame of the order in the producer's system. The system is not permitted to delete free order texts. They <u>have</u> to be provided on the shipping documents
-----	--------------------------------------	--

4453 *IS NOT USED IN THE SUBSET.*

C107 *IS NOT USED IN THE SUBSET.*

C108 K FREE TEXT

4440 M an..70 Free Text

4440 K an..70 Free Text

4440 K an..70 Free Text

4440 K an..70 Free Text

4440 K an..70 Free Text

Segment Group 1 K 8

This Segment Group contains the RFF-Segment and serves the referencing of documents and processes referring to the order.

RFF M 1 Reference Data

In the RFF-Segment, numbers concerning documents and processes that refer to the order are transferred.

C506 M REFERENCE DATA

1153 M an..3 Reference, Qualifier

The following codes are available:

„ACE“	Supplier's process number
„AEP“	Object number
„AFO“	Object designation (characters 1-30)
„AFP“	Object designation (characters 31-60)
„AAS“	Store number
„CO“	Number of the call-off order
„ZZZ“	Process has already been transferred
„ACD“	Additional Reference, here omnibus order number (see the related note in the BGM-Segment)

If the store number (AAS) is transferred, the entry of a delivery address is not necessary. The store number has to be verified as well.

1154 K an..35 Reference Number

Reference Number, refers to the chosen qualifier stated in data element 1153.

Implementation Note:

AAS Store number	This qualifier serves the automatic consulting of the delivery address to such stores of the wholesale trader's, which the producer has placed as pure goods recipients. The store number used here is defined by the wholesale trader and is coordinated with the producer for the purpose of allocating the address.
ACE Supplier's process number AEP Object number AFO Object designation AFP Object designation CO Number of the call-off order	These codes serve the identification within the processing of object orders and call-off orders.

Segment Group 1 End

Segment Group 2 **K 3**

This segment group contains the NAD-Segment and segment group 5 and serves the indication of the partners and locations involved in the message.

NAD M 1 Name und Address

In the NAD-Segment data concerning the identification of the partners involved is transferred as well as important address information.

3035 M an..3 PARTNERS, QUALIFIER

The following codes are available:

„SU“	Manufacturer (Industry)
„WS“	Wholesale trader
„ST“	Delivery address (distance)

C082 K IDENTIFICATION OF THE PARTNER**3039** M an..35 Partner Identification Number, encoded

In dependence to the qualifier stated above, the identification number of the partner is stated here.

1131 Is not used in the subset.

3055 K an..3 Administrative Organisation, encoded

The following codes are available:

„9“	EAN (CCG as the German publisher of the ILN-Numbers)
„ZZZ“	bilaterally agreed upon (customer number and respectively supplier number)

C058 IS NOT USED IN THE SUBSET.

C080 K NAME OF THE PARTNER**3036** M an..35 Name of the Partner
*Name 1 of the partner.***3036** K an..35 Name of the Partner
*Name 2 of the partner.***3036** K an..35 Name of the Partner
Name 3 of the partner.

C059 K STREET
 3042 M an..35 Street and House Number, Post Office Box

3164 K an..35 LOCATION

3229 *IS NOT USED IN THE SUBSET.*

3251 K an..9 POSTAL CODE

3207 K an..3 COUNTRY, ENCODED

The most important country codes according to ISO 3166 (the postal codes have to be given on the delivery note papers):

„BE“	Belgium
„BG“	Bulgaria
„DK“	Denmark
„DE“	Germany
„FI“	Finland
„FR“	France
„GR“	Greece
„GB“	Great Britain
„IE“	Ireland
„IT“	Italy
„CA“	Canada
„LU“	Luxembourg
„NL“	Netherlands
„NO“	Norway
„AT“	Austria
„PT“	Portugal
„SE“	Sweden
„CH“	Switzerland
„ES“	Spain
„TR“	Turkey
„US“	USA

Segment Group 5 **K 1**

This segment group contains the CTA-Segment for the indication of a contact person.

CTA **M 1** **Communication Partner**

In the CTA-Segment the name of the respective official in charge responsible for this message may be transferred for both, sender and recipient.

3139 *IS NOT USED IN THE SUBSET.*

C056 **K** **DATA ON THE DEPARTMENT OR THE OFFICIAL IN CHARGE**

3413 *Is not used in the subset.*

3412 **K to.35** **Department or Official in Charge**
Name of the official in charge responsible for the process.

Segment Group 5 End

Segment Group 2 End

Segment Group 7**K 1**

This segment group contains the CUX-Segment and serves the transfer of a reference currency for the complete order.

CUX M 1 Currency Data

In the CUX-Segment data concerning currency units, is transferred. This data is required for international transactions.

C504 K CURRENCY DATA**6347 M an..3 Currency Data, Qualifier**

Constant value:

„2“	<i>Reference currency</i>
-----	---------------------------

6345 K an..3 Currency, encoded

The most important currency codes according to ISO 4217:

„DKK“	<i>Danish Krone</i>
„EUR“	<i>Euro</i>
„GBP“	<i>British Pound</i>
„CAD“	<i>Canadian Dollar</i>
„NOK“	<i>Norwegian Kroner</i>
„PLZ“	<i>Polish Zloty</i>
„SEK“	<i>Swedish Kroner</i>
„CHF“	<i>Swiss Franc</i>
„USD“	<i>US Dollar</i>

Segment Group 7 End

Segment Group 9 **K 1**

This segment group contains the TDT-Segment for the indication of transport data.

TDT M 1 Transport data

In the TDT-Segment, the desired mode of transportation for the complete order may be transferred.

8051 M an..3 TRANSPORTANGABEN, QUALIFIER

Constant value:

„13“ <i>Transport</i>

8028 *IS NOT USED IN THE SUBSET.*

C220 K MODE OF TRANSPORTATION

8067 K an..3 Mode of Transportation, encoded

The following codes are available:

„1“ <i>Sea freight</i>
„2“ <i>Carriage by rail</i>
„21“ <i>Express carriage by rail</i>
„22“ <i>Waggon</i>
„3“ <i>Street (Heavy Goods Vehicle)</i>
„30“ <i>Despatch Department</i>
„4“ <i>Air freight</i>
„5“ <i>Mail</i>
„50“ <i>Parcel service</i>
„51“ <i>Parcel express service</i>
„90“ <i>Pickup</i>
„6“ <i>Mixed</i>

Segment Group 9 **End**

Segment Group 11**K 1**

This segment group contains the segments TOD and LOC and serves the indication of the terms of delivery.

TOD M 1 Terms of Delivery

In the TOD-Segment, the desired terms of delivery are transferred for the complete order.

4055 K an..3 TERMS OF DELIVERY REFERENCE, ENCODED

Constant value:

„6“ <i>Postage</i>

4215

*IS NOT USED IN THE SUBSET.***C100 K TERMS OF DELIVERY****4053 K an..3 Terms of Delivery, encoded**

The following codes are available:

„CAF“	<i>cost and freight to destination</i>
„DDP“	<i>delivery duty paid to destination</i>
„DAF“	<i>delivered at German frontier, duty unpaid</i>
„FCA“	<i>free carrier</i>
„CAI“	<i>cost and insurance (not prepaid)</i>
„ZZZ“	<i>mutually defined conditions</i>

LOC	K	1	Location Data <i>In the LOC-Segment, data concerning the train station of destination may be transferred.</i>	
3227	M	an..3	LOCATION DATA, QUALIFIER <i>Constant value:</i> <table border="1"><tr><td><i>„11“ Train station of destination</i></td></tr></table>	<i>„11“ Train station of destination</i>
<i>„11“ Train station of destination</i>				
C517	K		LOCATION DATA	
3225	K	an..25	Location Data <i>Indication of the train station of destination.</i>	
1131			<i>Is not used in the subset.</i>	
3055			<i>Is not used in the subset.</i>	
3224	K	an..70	Location Data	
Segment Group	11		End	

Segment Group 18 **K** **2**

This segment group contains the ALC-Segment and the segment Groups 20 and 21. It serves the transfer of additional charges and allowances for the complete order.

ALC **M 1** **Additional Charges and Allowances**

In the ALC-Segment additional charges and allowances for the complete order may be transferred.

5463 **M an..3** **ADDITIONAL CHARGES AND ALLOWANCES, QUALIFIER**

The following codes are available:

„A“	Allowance
„C“	Charge

C552 *IS NOT USED IN THE SUBSET.*

4471 *IS NOT USED IN THE SUBSET.*

1227 *IS NOT USED IN THE SUBSET.*

C214 **K** **SPECIAL PAYMENTS****7161** **K an..3** **Special Payments, encoded**

The following codes are available:

„FI“	EURO-Value per order
„RAA“	Discount rate

In case that more than one code is used for the complete order, these have to be subtracted from and respectively added to the net amount, in the indicated order.

EURO-Values are absolute, fixed values. They are taken into account at the final step of the chain calculation.

Segment Group 20 K 1

This segment group contains the PCD-Segment and serves the transfer of percentage rate data concerning the additional charges and allowances.

PCD M 1 Percentage Rate Data

In the PCD-Segment the percentage rate of the additional charges and discounts is transferred.

C501 M PERCENTAGE RATE DATA**5245 M an..3 Percentage Rate Data, Qualifier**

Constant value:

„3“ <i>Percentage rate</i>

5482 K n..10 Percentage rate

The percentage rate is transferred with two positions after the decimal point.

Implementation Note:

Usually, there are fixed arrangements between suppliers and wholesale traders concerning prices and conditions. For this reason, many producers will not read and not adopt the data concerning prices and conditions in your EDIFACT-orders. Thus, the advice may be given here to do without the transfer of prices and conditions. This will also reduce the amount of data.

If the prices and conditions agreed upon for the current order vary from the fixed arrangements, they may be transferred with this segment in terms of an Exceptional Order (BGM / 002 / 1001 YA8).

Segment Group 20 End

Segment Group 21 K 1

This segment group contains the MOA-Segment and serves the transfer of additional charges and allowances in terms of concrete/fixed amounts of money.

MOA M 1 Amount of Money
In the MOA-Segment, an amount of money may be transferred.

C516 M AMOUNT OF MONEY

5025 M an..3 Amount of Money, Qualifier
Constant value:

„8“ <i>for amount of money</i>

5004 K n..18 Amount of Money
Additional charge or discount with two positions after the decimal point.

Implementation Note:

Usually, there are fixed arrangements between suppliers and wholesale traders concerning prices and conditions. For this reason, many producers will not read and not adopt the data concerning prices and conditions in your EDIFACT-orders. Thus, the advice may be given here to do without the transfer of prices and conditions. This will also reduce the amount of data.

If the prices and conditions agreed upon for the current order vary from the fixed arrangements, they may be transferred with this segment in terms of an Exceptional Order (BGM / 002 / 1001 YA8).

Segment Group 21 End

Segment Group 18 End

Segment Group 25 **K 9999**

This segment group contains the segments LIN, IMD, QTY, DTM and the segment groups 28, 29, 39, 41 and 42. It serves the transfer of the line item data.

LIN **M 1** **Line Item Data**

In the LIN-Segment the article number of an ordered article is transferred according to a successive line item number.

1082 **K n..6** **LINE ITEM NUMBER**
Wholesaler's successive line item number.

1229 *IS NOT USED IN THE SUBSET.*

C212 **K** **PRODUCT IDENTIFICATION**

7140 **K an..35** **Goods Number / Service Number**
Supplier's article number; if there is no article number, a textual specification follows in the segment „IMD“. The data element group C212 is not transferred in this case.

7143 **K an..3** **Goods Number / Service Number, encoded**
The following codes are available:

„MF“	Manufacture article number
„EN“	EAN-Number

IMD	K	10	Description of the Line Item <i>In the IMD-Segment, an additional text concerning the line item may be transferred. If possible, no use should be made of this segment, since it necessitates a manual processing of the message.</i>
7077			<i>IS NOT USED IN THE SUBSET.</i>
7081			<i>IS NOT USED IN THE SUBSET.</i>
C273	K		DESCRIPTION OF THE POSITION/LINE ITEM
7009	K	an..17	Description of the Line Item <div style="border: 1px solid black; padding: 5px;"> <p><i>Code „ZU“ for an additional text referring to the line item This code is used if a verbal description of the item is necessary in addition to the article number. The IMD Segment may be repeated eight times in this case, offering 40 characters for each repetition (thus a total of 320 characters).</i></p> <p><i>Code „SP“ for specifications of the article; This code is used if there is no article numbers. The IMD Segment may thereby be repeated two times for the specification of the article, offering 40 characters for each repetition. If the code „SP“ is indicated, there is the additional possibility to use the code „ZU“ for an additional text. This means that in this case, the Segment IMD could be repeated a maximum of ten times.</i></p> </div>
1131			Is not used in the subset.
3055	K	an..3	Administrative Organisation, encoded <i>Constant value:</i>
			<i>„89“ Administrative Organisation ITEK</i>
7008	K	an..35	Description of the Line Item <i>Characters 1-35.</i>
7008	K	an..35	Description of the Line Item <i>Characters 36-40.</i>

Implementation Note:

Usually, your orders will be processed automatically on part of the producers. This means that no articles may be transferred which do not have a definite article number, or no article number at all. Line items that do not have an article number, but a description of the line item, are not processed and confirmed by most producers. For this reason, it is recommended to take up the complete article family data into the enterprise resource planning (Warenwirtschaft) of the wholesale traders. This would make it possible to do without the use of the IMD-Segment.

QTY K 1 **Quantity**
In the QTY-Segment the order quantities and the according unit of measurement are transferred.

C186 M **QUANTITY DATA**

6063 M an..3 **Quantity, Qualifier**
Constant value:

„12“ for quantity

6060 M n..15 **Quantity**
Quantity of the article; three positions after the decimal point.

6411 K an..3 **Unit of Measurement, Qualifier**
The following codes are available:

„CMK“	Square centimetre
„CMQ“	Cubic centimetre
„CMT“	Centimetre
„DZN“	Dozen
„GRM“	Gramme
„HLT“	Hectolitre
„KGM“	Kilogramme
„KTM“	Kilometre
„LTR“	Litre
„MMT“	Millimetre
„MTK“	Square metre
„MTQ“	Cubic metre
„MTR“	Metre
„PCE“	Piece
„PR“	Pair
„SET“	Set
„TNE“	Tonne

Implementation Note:

The units of quantity should be consistent in the systems of wholesale trade and industry.

For this reason, a comparison of the article family is strongly recommended before the processing of the EDIFACT order data transfer. As a wholesale trader, you may use the branch portal www.shk-branchenportal.de to download the complete and recent article family data of the SHK-Industry, choosing from individual data formats and compilations. Thus, you may establish the necessary family data comparison.

DTM **K** **1** **Date/Time/Period Data**
In the DTM-Segment, data concerning singular line items that diverges from the head section in terms of the delivery date may be provided.

C507 **M** **DATE/TIME/PERIOD DATA**

2005 **M** **an..3** **Date/Time/Period Data**

„2“	<i>Delivery date</i>
„17“	<i>definite delivery date</i>

2380 **K** **an..35** **Date/Time/Period Data**

Date, formatted as stated in data element 2379.

2379 **K** **an..3** **Date/Time/Period Data, Format, Qualifier**

The following codes are available:

„102“	<i>YYYYMMDD</i>
„616“	<i>YYYYWW (week of delivery)</i>
„203“	<i>YYYYMMDDHHMM (Year,Month,Day,Hour,Minute)</i>

Implementation Note:

The delivery date is defined as the date of the arrival of the goods. It is recommend to transfer the date of the day in the format YYYYMMTT. The delivery date stated in the order is not binding for the supplier. The date of the next tour or the date given in the order acceptance is taken as the delivery date.

Segment Group 28 **K 1**

This segment group contains the PRI-Segment and serves the transfer of prices.

PRI **M 1** **Price Data**

In the PRI-Segment, prices are transferred if they differ from the general agreements.

C509 **K** **PRICE INFORMATION****5125** **M an..3** **Price, Qualifier**

The following codes are available:

„GRP“	Gross price
„NTP“	Net price

5118 **K n..15** **Price**

Price of the article; two positions after the decimal point.

5375 *Is not used in the subset.*

5387 *Is not used in the subset.*

5284 **K n..9** **Price Basis per Unit**

Quantity to which the previously stated price and the measurement unit indicated in data element 6411 refer to. If, for example, the price refers to one piece, a one has to be transferred in this data element. In addition, the code PCE for piece would have to be transferred in data element 6411. The price basis has to be indicated as follows:

„1“ = 1 unit
 „10“ = 10 units
 „33“ = 33 units
 „100“ = 100 units
 etc.

6411 K an..3 Unit of Measurement, Qualifier

This data element is to be used only, if the price data refers to another unit of measurement than the quantity data of the order. The following codes are. The following codes are available:

„CMK“	Square centimetre
„CMQ“	Cubic centimetre
„CMT“	Centimetre
„DZN“	Dozen
„GRM“	Gramme
„HLT“	Hectolitre
„KGM“	Kilogramme
„KTM“	Kilometre
„LTR“	Litre
„MMT“	Millimetre
„MTK“	Square metre
„MTQ“	Cubic metre
„MTR“	Metre
„NRL“	Number of rolls
„PCE“	Piece
„PR“	Pair
„SET“	Set
„TNE“	Tonne

Implementation Note:

Usually, there are fixed arrangements between suppliers and wholesale traders concerning prices and conditions. For this reason, many producers will not read and not adopt the data concerning prices and conditions in your EDIFACT-orders. Thus, the advice may be given here to do without the transfer of prices and conditions. This will also reduce the amount of data.

If the prices and conditions agreed upon for the current order vary from the fixed arrangements, they may be transferred with this segment in terms of an Exceptional Order (BGM / 002 / 1001 YA8).

Segment Group 28 End

Segment Group 29 K 2

This segment group contains the RFF-Segment and serves the referencing of a potential previous offer or contract.

RFF M 1 Reference Data

In the RFF-Segment, the numbers of documents are transferred, to which the order line item refers to.

C506 M REFERENCE DATA**1153 M an..3 Reference, Qualifier**

The following codes are available:

„CO“	<i>Number of the call-off order</i>
„LI“	<i>Supplier's current line item number</i>

1154 K an..35 Reference Number

Reference, as sated in data element 1153. The supplier's current line item number is only indicated, if one refers to a current order.

Segment Group 29 End

Segment Group 39**K 2**

This segment group contains the ALC-Segment and the segment groups 41 and 42. It serves the transfer of additional charges and allowances concerning the order line items.

ALC M 1 Additional Charges and Allowances

In the ALC-Segment additional charges and allowances concerning singular line items are transferred.

5463 M an..3 ADDITIONAL CHARGES AND ALLOWANCES, QUALIFIER

The following codes are available:

„A“	Allowance
„C“	Charge

C552 IS NOT USED IN THE SUBSET.

4471 IS NOT USED IN THE SUBSET..

1227 IS NOT USED IN THE SUBSET.

C214 K SPECIAL PAYMENTS**7161 K an..3 Special Services, encoded**

The following codes are available:

„FI“	EURO-Value per price unit
„RAA“	Discount rate

EURO-Values are absolute, fixed values. They are taken into account at the final step of the chain calculation.

Segment Group 41 K 1

This segment group contains the PCD-Segment and serves the transfer of percentage rates concerning the additional charges and allowances.

PCD M 1 Percentage Rate Data

In the PCD-Segment, the percentage rate concerning the additional charges and allowances is transferred.

C501 M PERCENTAGE RATE DATA**5245 M an..3 Percentage Rate Data, Qualifier**

Constant value:

„3“ <i>Percentage rate</i>

5482 K n..10 Percentage Rate

The Percentage rate is transferred with two positions after the decimal point.

Implementation Note:

Usually, there are fixed arrangements between suppliers and wholesale traders concerning prices and conditions. For this reason, many producers will not read and not adopt the data concerning prices and conditions in your EDIFACT-orders. Thus, the advice may be given here to do without the transfer of prices and conditions. This will also reduce the amount of data.

If the prices and conditions agreed upon for the current order vary from the fixed arrangements, they may be transferred with this segment in terms of an Exceptional Order (BGM / 002 / 1001 YA8).

Segment Group 41 End

Segment Group 42 K 1

This segment group contains the MOA-Segment and serves the transfer of additional charges and allowances as definite amounts of money.

MOA M 1 Amount of Money

In the MOA-Segment an additional charge or allowance is transferred as an amount of money.

C516 M AMOUNT OF MONEY**5025 M an..3 Amount of Money, Qualifier**

Constant value:

„8“ <i>Amount of Money</i>

5004 K n..18 Amount of Money

Additional charges and allowances; with two positions after the decimal point.

Guideline of Implementation:

Usually, there are fixed arrangements between suppliers and wholesale traders concerning prices and conditions. For this reason, many producers will not read and not adopt the data concerning prices and conditions in your EDIFACT-orders. Thus, the advice may be given here to do without the transfer of prices and conditions. This will also reduce the amount of data.

If the prices and conditions agreed upon for the current order vary from the fixed arrangements, they may be transferred with this segment in terms of an Exceptional Order (BGM / 002 / 1001 YA8).

Segment Group 42 End

Segment Group 39 End

Segment Group 25 End

UNS	M 1	Section Control Segment <i>The UNS-Segment is a service-segment and marks the separation of line item and sum part.</i>		
0081	M a1	SECTION DESIGNATION, ENCODED <i>Constant value:</i> <table border="1" data-bbox="486 533 1449 571"> <tr> <td>„S“</td> <td><i>Separation of position/line item- and sum part</i></td> </tr> </table>	„S“	<i>Separation of position/line item- and sum part</i>
„S“	<i>Separation of position/line item- and sum part</i>			
UNT	M 1	Message End Segment <i>In the UNT-Segment, the number of segments and a message reference number are transferred for the purpose of a plausibility verification.</i>		
0074	M n..6	NUMBER OF SEGEMENTS IN A MESSAGE <i>Number of segments transferred with this message, including the segments UNH and UNT.</i>		
0062	M an..14	MESSAGE-REFERENCENUMBER <i>Here, the same reference number as in UNH / 0062 has to be entered. This number is compared to the entry in the Segment UNH at the stage of the reception of the message.</i>		
UNZ	M 1	User Data End Segment <i>In the UNZ-Segment a data exchange counter and a data exchange reference may be transferred.</i>		
0036	M n..6	DATA EXCHANGE COUNTER <i>Here, the number of messages is entered in the usage data frame UNB... UNZ.</i>		
0020	M an..14	DATA EXCHANGE REFERENCE <i>The same reference number as in UNB / 0020 has to be entered here. This number is compared to the entry in Segment UNH at the stage of reception of the message.</i>		