

EDIFACT-SUBSET

EDITEC

“Inventory Report”



Deutscher Großhandelsverband Haustechnik e.V.



ARGE Neue Medien



INVRPT / D.96B

Version 3.3 / November 2005

Table of Contents – Subset “Inventory Report”

1	INTRODUCTION	2
2	EXPLANATIONS CONCERNING INVENTORY REPORT	3
2.1	General Explanations.....	3
2.2	References in the Messages	4
3	INSTRUCTIONS FOR USAGE	6
4	MESSAGE STRUCTURE DIAGRAM	7
5	MESSAGE STRUCTURE OF THE SUBSET	8
UNA	K 1 Presetting of Separators.....	8
UNB	M 1 Usage Data Head Segment	9
UNH	M 1 Message Head Segment.....	11
BGM	M 1 Beginning of Message	12
DTM	M 1 Date-/Time-/Period Specifications.....	13
RFF	M 1 Reference Data.....	13
NAD	M 1 Name and Address	14
CTA	M 1 Contact Information.....	15
LIN	M 1 Line Item Number	16
PIA	K 1 Additional Product Information.....	16
DTM	K 1 Date-/Time-/Period Specifications	18
QTY	M 1 Quantity.....	19
DTM	K 1 Date-/Time-/Period Specifications	21
UNT	M 1 Message End Segment.....	22
UNZ	M 1 Usage Data End Segment	22
	EXEMPLARY MESSAGE:	23

1 Introduction

The EDIFACT Subset at hand, concerning the message type “Inventory Report” was provided by ITEK on behalf of Arbeitsgemeinschaft Neue Medien der deutschen SHK-Industrie e.V. and Deutscher Großhandelsverband Haustechnik e.V.



ARGE Neue Medien

Technologiepark 19
D - 33100 Paderborn

Telephone: (0 52 51) 8 72 88-0
Facsimile: (0 52 51) 8 72 88-19
E-Mail: arge@arge.de



Deutscher Großhandelsverband Haustechnik e.V.

Viktoriastrasse 27
D - 53173 Bonn

Telephone: (02 28) 62 905-0
Facsimile: (02 28) 62 905-20
E-Mail: info@dg-haustechnik.de



Integrationstechnologie und elektronische
Kommunikation GmbH

Technologiepark 19
D - 33100 Paderborn

Telephone: (0 52 51) 16 14 –0
Facsimilie: (0 52 51) 16 14 –99
Email: editec@itekmbh.de

The EDIFACT subset is based on EDIFACT-Syntax-Version 3 and the following public documents:

- EDIFACT – Standardised message type “INVRPT”
- UN/EDIFACT Directory 96B, UN/ECE/TRADE/WP.4
- EDIFACT – Application service segments, draft DIN 16560-Teil 1, Februar 1994
- UN/EDIFACT code list.97A

Paderborn, November 2005

2 Explanations Concerning Inventory Report

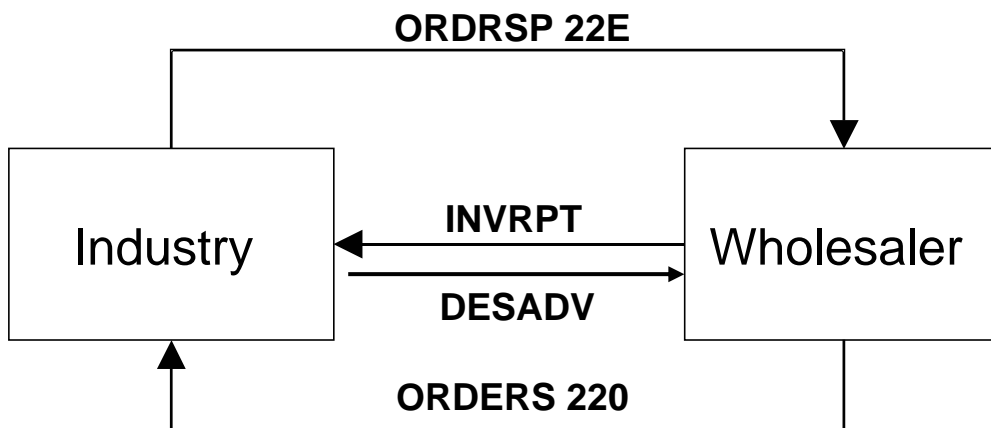
2.1 General Explanations

With the Inventory Report, the wholesaler daily transfers to the producer the inventory data of a certain inventory assortment that has been agreed on before by wholesaler and producer. The precondition for using Inventory Report is using dispatch notification DESADV or using the order response (ORDRSP), version 3.1 or higher.

The goal of this is that producers may restock the agreed upon inventory assortment on the basis of the contents transferred in the Inventory Report. The dispatching of this assortments is thus processed by the producer.

This basic change in the business process affects other messages as well. Consequently, orders for the agreed upon assortment are not initiated by the wholesaler anymore. Instead, the producer sends the dispatch notification or the order response.

For the process of automatic inventory dispatch by the producer, the following scheme applies:



By means of the INVRPT the wholesaler may, in addition to quantity information in the RFF segment, transfer an order number in the head section of the INVRPT to the producer. In the wholesaler's system, this order number will be reserved for an order created on the basis of the data transferred by the producer in the INVRPT.

Demands determined by the producer will not be reported to the wholesaler by a separate ORDERS message, but by DESADV or an order response with code 22E in the BGM

segment. The order number transferred before by the wholesaler in the INVRPT will also be used as the order number in the ORDRSP-message. If there was no order number transferred in the INVRPT from the wholesaler to the producer, the producer will generate an order number.

The original message EDITEC-ORDRSP 3.0 was supplemented by the Qualifier 22E the BGM-Segment.

No information concerning the temporal demands at the wholesaler's is transferred in the INVRPT. The wholesaler has now the opportunity, to transfer his outstanding customer orders (e. g. orders of the handicraft at the wholesalers) to the producer. In the ORDERS message the CODE 220 was added in the BGM for his reason. It marks the ORDERS message as a customer order at the wholesaler's. An ORDERS message with Code 220 in the BGM segment does thus not initiate a direct movement of goods, but serves merely as an information.

If the "outstanding orders (stock orders) (Code 73)" are transferred in the INRPT instead of the "goods receipt quantity (Code 48)", the outstanding orders demand of the wholesale trade at the industry's may be transferred additionally as ORDERS with code "248". By this information, the industry may detect the outstanding **Rollwarenbestand**.

2.2 References in the Messages

Exemplary Message INVRPT:

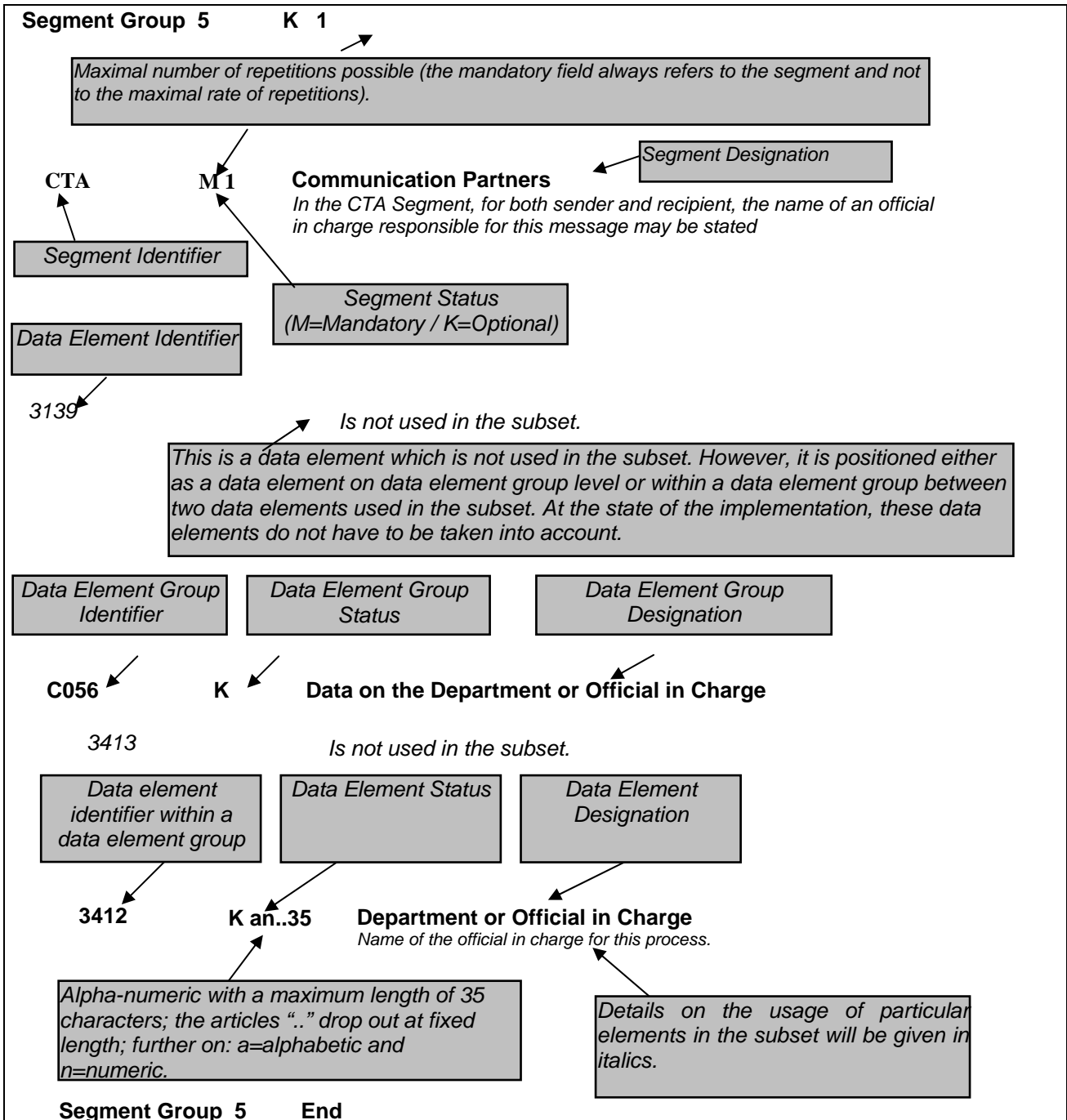
UNA:+.? '
UNB+UNOC:3+X:52+Y:65+010308:1107+123+X'
UNH+11111111+INVRPT:D:96B:UN'
BGM+35+0815'
DTM+137:20001222:102'
RFF+ACE: 01321864864 '
NAD+SU+4300001000009::9++Institut für Technologietransfer:in der elektronischen Kommunikation+Technologiepark 19+Paderborn++33100+DE'
CTA++:HerrMüller'
LIN+1++4312345123459:EN'
PIA+1+123456:MF'
QTY+145:9:PCE'
DTM+50:20011222:102'

QTY+48:3:PCE'
QTY+216:25:PCE'
UNT+13+111111111'
UNZ+1+123'

Exemplary Message ORDRSP, transferred from the producer to the wholesaler on the basis of the inventory reports:

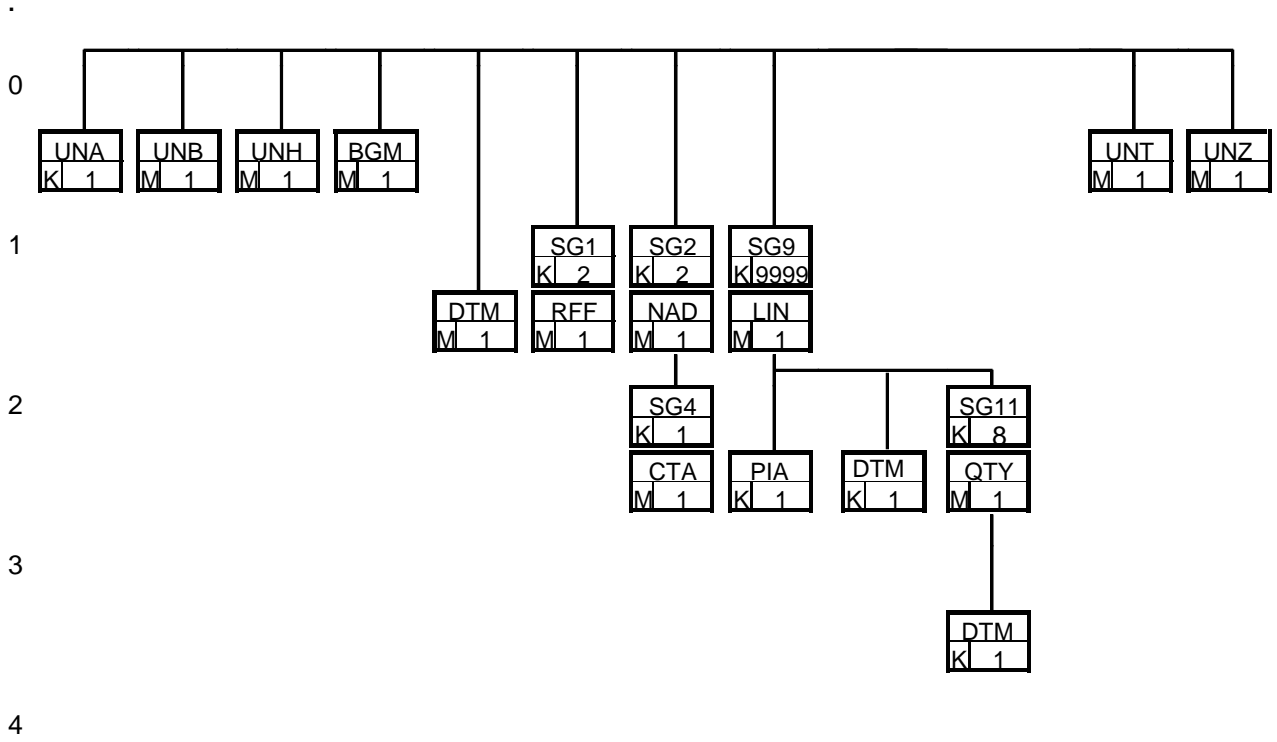
UNA:+.? '
UNB+UNOC:3+Y:65+X:52+010308:1107+123'
UNH+1+ORDRSP:D:96B:UN:DESN11'
BGM+22E+123456'
DTM+4:20010308:102'
DTM+2:20010311:102'
RFF+VN: 01321864864 '
NAD+SU+4300001000009::9++Institut für Technologietransfer:in der elektronischen Kommunikation+Technologiepark 19+Paderborn++33100+DE'
LIN+1++4312345123459:EN'
QTY+12:10:PCE'
UNT+12+1'
UNZ+1+123'

3 Instructions for Usage



4 Message Structure Diagram

The following illustration shows the message structure of the subset "Inventory Report" with segment status and at a maximum rate of repetition.



5 Message Structure of the Subset

UNA K 1 Presetting of Separators

In the UNA-Segment, separators, decimal marks and release indicators are predefined. It is defined only once and applies to the following messages until it is revoked. Consequently, it won't be transferred furthermore.

If needed, value :+,? '

: separates data elements in a data element group

+ trennt Segmentbezeichner, Datenelementgruppen und Datenelemente

, Decimal marker (comma)

? Release indicators, restores the original meaning of the mark that follows the release indicator.

Blank/space, reserved for later applications

' Segment terminator

UNB M 1 Usage Data Head Segment

The UNB-Segment transfers data concerning syntax, sender/recipient of the interchange file, date and time of its creation, and a data exchange reference. Optionally, a password for the recipient may be included in the transfer as well.

S001 M SYNTAX DESIGNATOR**0001** M a4 Syntax Identifier*Constant value:*

„UNOC“	<i>EDIFACT-Syntax Version C</i>
--------	---------------------------------

0002 M n1 Syntax Version Number*Constant value:*

„3“	<i>EDIFACT-Syntax Version 3</i>
-----	---------------------------------

S002 M SENDER OF THE INTERCHANGE FILE**0004** M an..35 Sender Designation*Sender Identifier (e. g. identification number in Telebox400)***0007** K an..4 Identification Code, Qualifier

This data element serves the definite specification of the participants. The following codes are available:

„52“	<i>Sender IBM/IE User</i>
„65“	<i>Sender Telebox400 User</i>
„ZZZ“	<i>Sender (other network operators)</i>

S003 M RECIPIENT OF THE DATA INTERCHANGE FILE**0010** M an..35 Recipient Designation*Sender Identifier (e. g. identification number in Telebox400)***0007** K an..4 Participant Designation, Qualifier

This data element serves the definite specification of the participants. The following codes are available:

„52“	<i>Sender IBM/IE User</i>
„65“	<i>Sender Telebox400 User</i>
„ZZZ“	<i>Sender (other network operators)</i>

S004 M DATE/TIME OF CREATION

- 0017** M n6 Date of Creation
Date of creation of the message by the sender in the format "YYMMTT". (This format is prescribed according to the EDIFACT Usage Guideline for Service Segments).
- 0019** M n4 Time of Creation
Format: HHMM
- 0020** M an..14 DATA INTERCHANGE REFERENCE
Number for each communication address (X.400, Provider, ...) and message type, consistently rising in ascending order. The data exchange reference number serves as a plausibility test for the assessment of double transmissions and failed transmissions. This task is being fulfilled by the converter.
- S005** K REFERENCE/PASSWORD OF THE RECIPIENT
- 0022** M an..14 Reference or password of the recipient
A password permits the access to the network or user system of the recipient. The Sender and recipient may agree upon a password bilaterally.

UNH M 1 Message Head Segment

In the UNH-Segment, a message is identified definitely. The EDITEC Subset "Inventory Report" is based on the message type "INVRPT".

0062 M an..14 MESSAGE REFERENCE NUMBER

In each transfer file, every message is consistently numbered in ascending order, beginning with „1“. This task is being taken over by the converter.

S009 M MESSAGE IDENTIFIER

0065 M an..6 Message Type Identifier

Constant value:

„INVRPT“	INVENTORY REPORT
----------	------------------

0052 M an..3 Version Number of the Message Type

Constant value:

„D“	Draft version/UN/EDIFACT Directory
-----	------------------------------------

0054 M an..3 Release Number of the Message Type

Constant value

„96B“	Release 1996 - B
-------	------------------

0051 M an..2 Administrative Organisation, encoded

Constant value:

„UN“	UN/ECE/TRADE/WP.4
------	-------------------

0057 K an..6 Operational Code of the Organisation in Charge

Constant value:

„ITEK33“

BGM M 1 Beginning of Message

In the BGM-Segment, the purpose and name of the message are defined.

C002 K DOCUMENT/MESSAGE NAME

1001 K an. 3 Document/Message Name, encoded

The following codes are available:

<p>„33E“ <i>only stock transfer (WITHOUT supply deliveries)</i> „35“ <i>Inventory Report</i> „35E“ <i>Inventory Report from industry to trade (proper code)</i></p>

“By means of code “33E”, the wholesaler may additionally transfer the stock of inventory data for articles, which are not part of the LO-GH-IN process (automatic dispatching industry/wholesale trade). Thus, a high level of transparency may be attained for these articles as well.

As an alternative, it is possible to transfer both articles which are part of the LO-GH-IN process and articles which are not part of the LO-GH-IN process in a transfer file with code “35”.

C106 K DOCUMENT/MESSAGE IDENTIFICATION

1004 K an..35 Document/Message Number

Inventory report number.

DTM M 1 Date-/Time-/Period Specifications**C507 M DATE-/TIME-/PERIOD SPECIFICATIONS****2005 M an..3** Date-/Time-/Period Specifications, Qualifier
The following codes are available:

„137“	<i>Date of the inventory report</i>
-------	-------------------------------------

2380 K an..35 Date-/Time-/Period Specifications
*Date, formatted as shown in data element 2379.***2379 K an..3** Date-/Time-/Period Specifications, Format, Qualifier
The following codes are available:

„102“	<i>Format: YYYYMMDD</i>
-------	-------------------------

Segment Group 1 K 2**RFF M 1 Reference Data****C506 M REFERENCE DATA****1153 M an..3** Reference, Qualifier
The following codes are available:

„ACE“	<i>wholesaler's process number</i>
„AAS“	<i>store number</i>

1154 K an..35 Reference Number
*Number respectively designation, refers to the qualifier chosen in data element 1153.***Segment Group 1 End**

Note:

The wholesaler's process number is an order number reserved for orders created by the producer. It should be transferred by the wholesaler with this message. If a reserved order number is transferred, the producer has to send it back with the next order response. If the wholesaler does not transfer an order number, the producer has to create one. For the transfer of the DESADV, no order number has to be transferred.

Segment Group 2 K 2

This segment group contains the NAD-Segment as well as the segment group 5. It serves the indication of the partners and locations concerned with the message.

NAD M 1 Name and Address

In the NAD-Segment, data concerning the identification of the partners involved is transferred as well as important address data.

3035 M an..3 PARTNERS, QUALIFIER

The following codes are available:

„WS“	Wholesaler
„SU“	Supplier (Producer)

C082 K IDENTIFICATION OF THE PARTNER**3039 M an..35 Partner Identification Number, encoded**

According to the qualifier provided above, the identification number of the partner is indicated here.

1131 *Is not used in the subset.*

3055 K an..3 Administrative Organisation, encoded

The following codes are available:

„9“	EAN (CCG as the German publisher of the ILN numbers)
„ZZZ“	bilaterally agreed upon (customer or supplier numbers)

C058 *IS NOT USED IN THE SUBSET.*

C080 K NAME OF THE PARTNER**3036 M an..35 Name of the Partner**

Name 1 of the Partner.

3036 K an..35 Name of the Partner

Name 2 of the Partner.

C059 K STREET**3042 M an..35 Street and House Number****3164 K an..35 LOCATION**

3229 *IS NOT USED IN THE SUBSET.*

3251 K an..9 POSTAL CODE

3207 K an..3 COUNTRY, ENCODED

The most important country codes according to ISO 3166:

DE = GERMANY

FR = FRANCE

GB = UNITED KINGDOM

US = UNITED STATES

... see attachment for further codes

Segment Group 4 K 1

This segment group contains the CTA-Segment for the indication of a contact person.

CTA M 1 Contact Information

In the CTA segment, the name of the official in charge of the participating party is transferred.

3139 *IS NOT USED IN THE SUBSET*

C056 K DATA ON DEPARTMENT- OR OFFICIAL IN CHARGE

3413 *Is not used in the subset.*

3412 K an..35 Department or Official in Charge

Name of the official in charge for the process.

Segment Group 4 End

Segment Group 2 End

Segment Group 9 K 9999

LIN M 1 Line Item Number

In the LIN-Segment, a line item is transferred according to a line item number rising in ascending order (Line item number).

1082 K n..6 LINE ITEM NUMBER
Consecutive Numbering.

1229 *IS NOT USED IN THE SUBSET.*

C212 K GOODS/SERVICE NUMBER IDENTIFICATION

7140 K an..35 Goods/Service Number
Article Number

7143 K an..3 Goods/Service Number, encoded
The following codes are available:

„EN“	<i>EAN-Number</i>
„MF“	<i>Manufactory article number</i>

PIA K 1 Additional Product Information

4347 M an..3 PRODUCT-IDENTIFICATION FUNCTION
Constant value:

„1“	<i>additional product information</i>
-----	---------------------------------------

C212 M GOODS/SERVICE NUMBER IDENTIFICATION

7140 K an..35 Goods/Service Number
Article Number

7143 K an..3 Goods/Service Number, encoded
The following codes are available:

„MF“	<i>Manufactory article number</i>
------	-----------------------------------

C212 K GOODS/SERVICE NUMBER IDENTIFICATION

7140 K an..35 Goods/Service Number
Wholesaler's article number

7143 K an..3 Goods/Service Number, encoded

The following codes are available:

„VN“ Wholesaler's article number

C212 K GOODS/SERVICE NUMBER IDENTIFICATION

7140 K an..35 Goods/Service Number

Wholesaler's storage location; the usage has to be agreed upon bilaterally.

7143 K an..3 Goods/Service Number, encoded

The following codes are available:

„XLO“ bilaterally agreed upon, here wholesaler's storage location (proper code)

C212 K GOODS/SERVICE NUMBER IDENTIFIKATION

7140 K an..35 Goods/Service Number

Wholesaler's storage location des Großhandels; the usage has to be agreed upon bilaterally.

7143 K an..3 Goods/Service Number, encoded

The following codes are available:

„XLP“ bilaterally agreed upon, here wholesaler's storage location (proper code)

DTM K 1 Date-/Time-/Period Specifications

In this DTM segment, the days until the replenishment by the supplier are stated.

C507 M DATE-/TIME-/PERIOD SPECIFICATIONS**2005 M an..3 Date-/Time-/Period Specifications, Qualifier**

The following codes are available:

„169“	<i>time for replenishment</i>
-------	-------------------------------

2380 M an..35 Date-/Time-/Period Specifications

Number of days for replenishment

0 = available at once

1-998 = Number of days for replenishment

999 = on request

2379 M an..3 Date-/Time-/Period Specifications, Format, Qualifier

Constant value:

„804“	<i>Days</i>
-------	-------------

Segment Group 11 K 8

QTY M 1 Quantity

In the QTY Segment inventory quantities are transferred.

C186 M Quantity Data

6063 M an..3 Quantity, Qualifier

The following codes are available:

„48“	Goods Receipt Quantity
„73“	Outstanding Orders (stock orders)
„98“	Maximum Inventory
„97“	Minimal Inventory
„143“	Goods backlog (immediate delivery required)
„145“	Stock of Inventory (physical stock of inventory)
„216“	Reserved Quantity
„230“	Demand of the Month (proper code)

6060 M n..15 Quantity

Quantity of the ordered article with a maximum of three positions after the decimal point.

6411 K an..3 Unit of Measurement, Qualifier

The following codes are available:

„CMK“	Square centimetre
„CMQ“	Cubic centimetre
„CMT“	Centimetre
„DZN“	Dozen
„GRM“	Gramme
„HLT“	Hectolitre
„KGM“	Kilogramme
„KTM“	Kilometre
„LTR“	Litre
„MMT“	Millimetre
„MTK“	Square metre
„MTQ“	Cubic metre
„MTR“	Metre
„NRL“	Number of rolls
„PCE“	Piece
„PR“	Pair
„SET“	Set

„TNE“ Tonne

Explanations to the quantities in the QTY Segment:

Code Value	Designation	Definition	Status
„48“	Goods Receipt Quantity	Change in quantity affecting the inventory. All the goods receipts processed per article on a day are subsumed under this line item. It is possible to transfer the last past goods receipt. The date of goods reception may be transferred additionally.	M* ¹
„73“	Outstanding Orders (stock orders)	With the outstanding orders, <u>all</u> stock orders of the stock subject to dispatching are subsumed. The creation of the order is not taken into account, which means that also the orders initiated by telephone or facsimile have to be transferred.	M*
„97“	Minimal Inventory	Wholesale trade and industry agree upon a minimal inventory bilaterally. ²	K
„98“	Maximal Inventory	Wholesale trade and industry agree upon a maximal inventory bilaterally. ³	K
„143“	Goods Backlog (immediate delivery required)	The goods backlog is part of the reserved quantity. With the delivery of the goods backlog, the whole demand ⁴ calculated by the producer should be delivered as an express delivery. The goods backlog transmitted is always a positive value. (No negative values are transferred.)	K
„145“	Stock of Inventory (physical stock of inventory)	The stock physically present at the storage location. (Stocktaking stock of inventory)	M
„216“	Reserved Quantity	The reserved quantity encompasses the customer orders at the wholesaler's for n weeks. The number of weeks is determined by the wholesale trade.	M
„230“	Demand of the Month (proper code)	The demand of the month is the demand for the coming 4 weeks as forecasted by the wholesaler. This code is transferred for the purpose of information only.	K

The status M = mandatory signals, if the information has to be transferred with the INVRPT. Values with the status K = optional may be transferred. For M* see footnote 1 (s. p. 20).

¹ One has to transfer either the goods receipt quantity or the number of outstanding orders. One may also transfer both values. If both values are transferred, the goods receipt is not to be subtracted from the outstanding orders.

² It is recommended not to transfer the minimal inventory more frequently than once per month.

³ It is recommended not to transfer the maximal inventory more frequently than once per month.

⁴ The determined demand is the demand calculated by the industry for the wholesale trade on the basis of the bilaterally agreed upon quantities.

DTM K 1 Date-/Time-/Period Specifications**C507 M DATE-/TIME-/PERIOD SPECIFICATIONS****2005 M an..3 Date-/Time-/Period Specifications, Qualifier***The following codes are available:*

<i>„50“ Date of goods receipt</i>

2380 K an..35 Date-/Time-/Period Specifications*Date, formatted as shown in data element 2379.***2379 K an..3 Date-/Time-/Period Specifications, Format, Qualifier***Constant value:*

<i>„102“ Format: YYYYMMDD</i>

Segment Group 11 End**Segment Group 9 End**

UNT M 1 Message End Segment

In the UNT-Segment, the number of segments and the message reference number are transferred for the purpose of a plausibility verification.

0074 M n..6 NUMBER OF SEGMENTS IN A MESSAGE

Number of segments transferred with this message, including the segments UNH and UNT.

0062 M an..14 MESSAGE REFERENCE NUMBER

The same reference number as in UNH / 0062 has to be entered here. This number is compared to the entry in Segment UNH at the stage of reception of the message.

UNZ M 1 Usage Data End Segment

In the UNZ-Segment a data exchange counter and a data exchange reference may be transferred.

0036 M n..6 DATA EXCHANGE COUNTER

Here, the number of messages is entered in the usage data frame UNB...UNZ.

0020 M an..14 DATA EXCHANGE REFERENCE

The same reference number as in UNB / 0020 has to be entered here. This number is compared to the entry in Segment UNH at the stage of reception of the message.

Exemplary Message:

UNA:+.? ‘

UNB+UNOC:3+4399901598867:52+Lieferant-DE:52+050401:1359+1+PSWD’

UNH+1+INVRPT:D:96B:UN:ITEK33’

BGM+35+47110192’

DTM+137:20050330:102’

RFF+ACE:456123’

NAD+SU+4300001000009::9++Firma Muster:GmbH&Co.KG+Musterweg
1+Musterdorf++59959+DE’

CTA++:Frau Muster’

LIN+1++4312345123459:MF’

PIA+1+123456:MF+123456:VN+654321:XLO+321654:XLP’

DTM+169:20:804’

QTY+48:9:PCE’

DTM+50:20050401:102’

QTY+48:9:PCE’

DTM+50:20050415:102’

QTY+48:32:PCE’

DTM+50:20050430:102’

LIN+2++3123454123459:MF’

...’

UNT+26+1’

UNZ+1+1’