

Guidelines of Implementation

EDIFACT-SUBSET

EDITEC

Remittance Advice



Deutscher Großhandelsverband Haustechnik e.V.



ARGE Neue Medien



REMADV / D.96B

Version 3.1 / November 2005

Table of Contents for Subset EDITEC-“Remittance Advice”

1.	INTRODUCTION.....	3
1.	INSTRUCTIONS OF USAGE.....	4
2.	MESSAGE STRUCTURE DIAGRAM	5
3.	MESSAGE STRUCTURE OF THE SUBSET.....	6

Service-Section:

UNA	M 1 PRESETTING OF SEPARATORS.....	6
UNB	M 1 USAGE DATA HEAD SEGMENT	7
UNH	M 1 MESSAGE HEAD SEGMENT.....	9

Head Section:

BGM	M 1 BEGINNING OF THE MESSAGE	10
DTM	M 2 DATE/TIME/PERIOD DATA.....	11
FII	K 2 CREDIT INSTITUTION.....	12
PAI	K 1 REMITTANCE DATA.....	13
NAD	M 1 NAME AND ADDRESS.....	14
CTA	M 1 COMMUNICATION PARTNER.....	15
COM	K 4 COMMUNICATION CONNECTION	15
CUX	M 1 CURRENCY DATA	16

Line Item Section:

DOC	M 1 DOCUMENT/MESSAG DETAILS.....	17
MOA	M 4 AMOUNT OF MONEY	19
DTM	K 1 DATE/TIME/PERIOD DATA	19
RFF	K 1 REFERENCE DATA	20

Service Section:

UNS	M 1 SECTION CONTROL SEGMENT.....	21
-----	----------------------------------	----

Sum Section:

MOA	M 1 AMOUNT OF MONEY	22
-----	---------------------------	----

Service-Teil:

UNT	M 1 MESSAGE END SEGMENT	23
UNZ	M 1 USER DATA ENDSEGMENT	23
	MESSAGE EXAMPLE:.....	24

1. Introduction

The EDIFACT Subset at hand, concerning the message type “Remittance Advice” was provided by ITEK GmbH on behalf of Arbeitsgemeinschaft Neue Medien der deutschen Sanitärindustrie e.V. and Deutscher Großhandelsverband Haustechnik e.V.

ITEK

Technologiepark 19
33100 Paderborn

Telephone: (0 52 51) 16 14 –0
Facsimile: (0 52 51) 16 14 –99
E-Mail: editec@itekgbh.de

This EDIFACT subset is based on EDIFACT-Syntax-Version 3 and the following public documents:

- EDIFACT – Standardised message type „ORDERS“
- UN/EDIFACT Directory 96B, UN/ECE/TRADE/WP.4
- EDIFACT-Application service segments, draft DIN 16560-Teil 1, February 1994
- UN/EDIFACT Codelist D.97A

Paderborn, May 2006

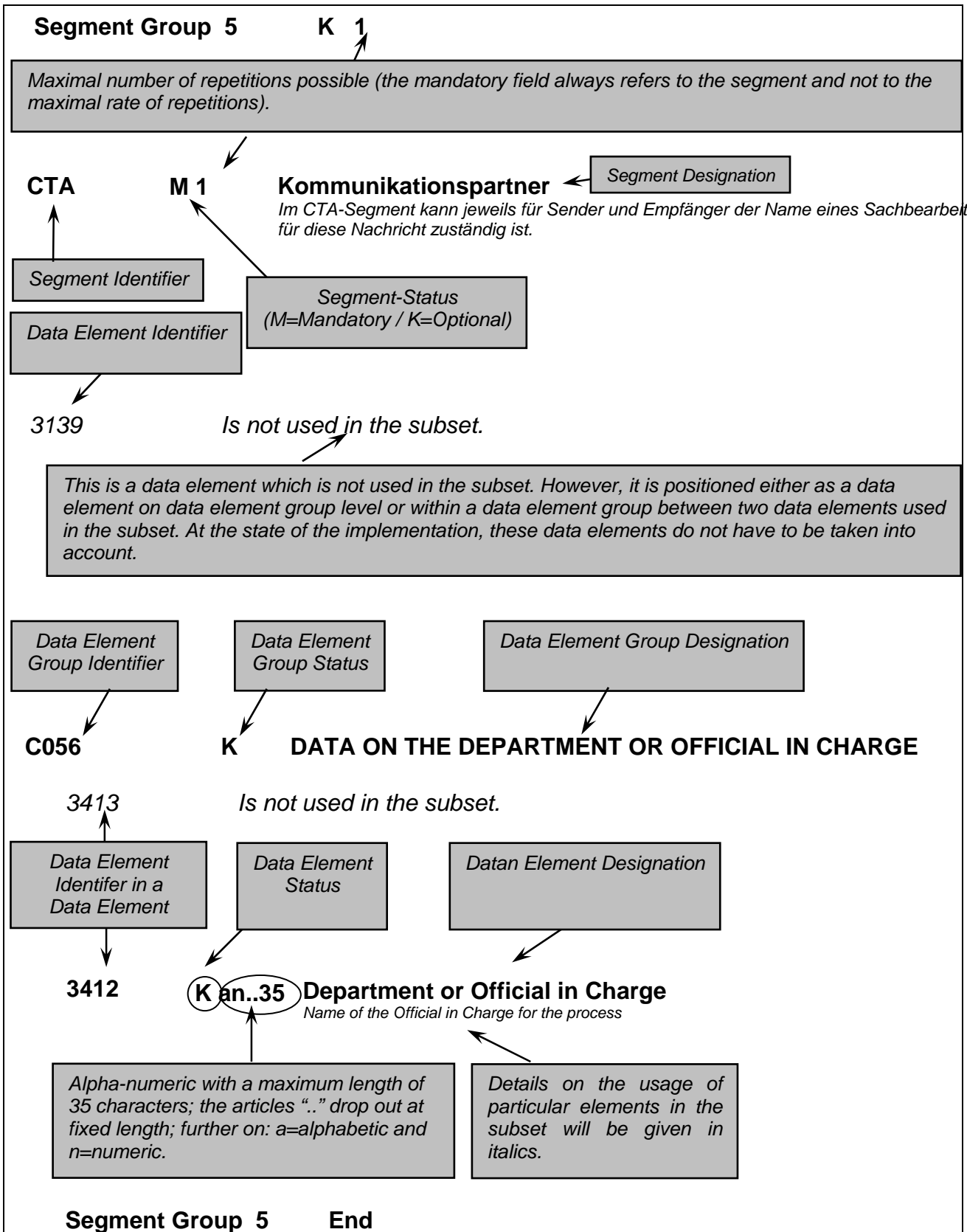
With the EDIFACT Subset REMADV, the remittance data of the regulator / federation / wholesale trade is transferred to the producer in respect in a quick, safe and economic manner. This is a description of the subset and the guidelines of implementation. It normalises and standardises the process of electronic remittance data transfer from regulator / federation / wholesale trade to the industry.

By means of the uniform use of the order data on the part of the wholesale trade, and by the uniform processing of this data on part of the industry, the security necessary for the process is provided for both sender and recipient.

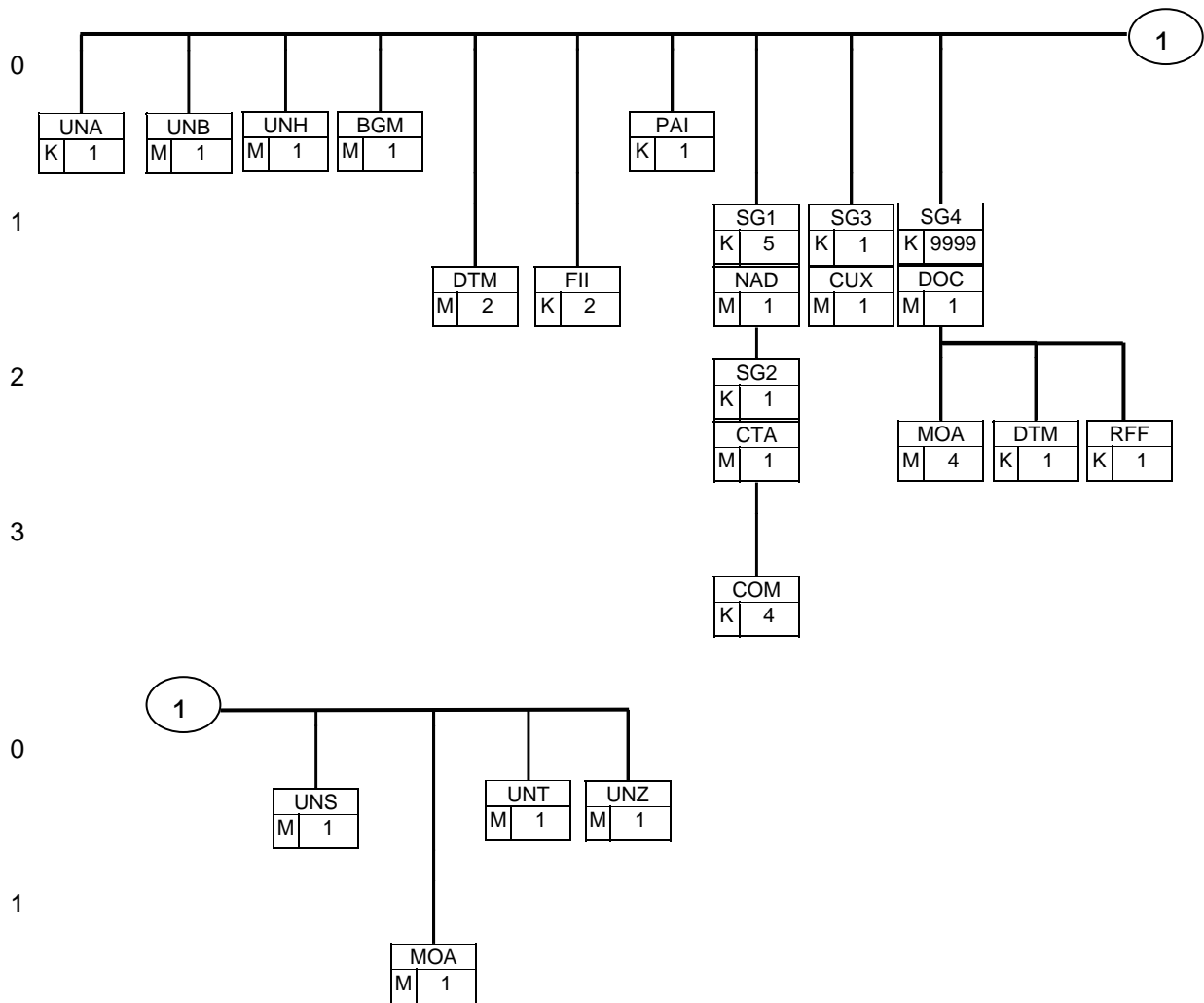
By the help of a standardised use of the remittance data on the part of both, regulator / federation / wholesale trade and the industry, the security necessary for this process is gained for sender and recipient.

The individual guidelines of implementation are given at the end of each segment and are stressed by colour. If you adhere to the guidelines of implementation, you will achieve the uniform processing of your remittance data and gain the security necessary for this process. For this reason, the uniform use of remittance data in terms of the guidelines of implementation is mandatory for the uniform processing of your remittances on part of the suppliers.

1. Instructions of Usage



2. Message Structure Diagram



3. Message Structure of the Subset

UNA M 1 Presetting of Separators

In the UNA-Segment, separators, decimal marks and release indicators are predefined. It is defined only once and applies to the following messages until it is revoked. Consequently, it won't be transferred furthermore.

If needed, value :+,? '

: separates data elements in a data element group

+ separates segment designations, data element groups and data elements

, Decimal marker (comma)

? Release indicators, restores the original meaning of the mark that follows the release indicator.

Blank space/space character, reserved for later applications

' Segment terminator

UNB	M 1	Usage Data Head Segment	
			<i>The UNB-Segment transfers data concerning syntax, sender/recipient of the interchange file, date and time of its creation, and a data exchange reference. Optionally, a password for the recipient may be included in the transfer as well.</i>
S001	M	SYNTAX DESIGNATOR	
0001	M a4	Syntax Identifier	
		Constant Value:	
			„UNOC“ EDIFACT-Syntax, Version C
0002	M n1	Syntax Version Number	
		Constant Value:	
			„3“ EDIFACT-Syntax Version 3
S002	M	SENDER OF THE INTERCHANGE FILE	
0004	M an..35	Sender Designation	
		Sender Identifier (e. g. identification number in Telebox400)	
0007	K an..4	Participant Designation, Qualifier	
		This data element serves the definite specification of the participants. The following codes are available:	
			„52“ Sender IBM/IE-User „65“ Sender Telebox400-User „ZZZ“ Sender (other network operators)
S003	M	RECIPIENT OF THE INTERCHANGE FILE	
0010	M an..35	Recipient Designation	
		Recipient Identifier (e. g. identification number in Telebox400)	
0007	K an..4	Participant Designation, Qualifier	
		This data element serves the definite specification of the participants. The following codes are available:	
			„52“ Recipient IBM/IE-User „65“ Recipient Telebox400-User „ZZZ“ Recipient (other network operators)
S004	M	DATE/TIME OF CREATION	

- 0017** M n6 Date of Creation
Date of creation of the message by the sender in the format "YYMMDD". (This format is prescribed according to the EDIFACT Usage Guideline for Service Segments).
- 0019** M n4 Time of Creation
Format: HHMM
- 0020** M an..14 DATA EXCHANGE REFERENCE
Number for each communication address (X.400, Provider, ...) and message/data type, consistently rising in ascending order. The data exchange reference number serves as a plausibility test for the assessment of double transmissions and failed transmissions. This task is being fulfilled by the converter.
- S005** K REFERENCE/PASSWORD OF THE RECIPIENT
- 0022** M an..14 Reference or Password of the Recipient
A password permits the access to the network or user system of the recipient. The Sender and recipient may agree upon a password bilaterally.

UNH M 1 Message Head Segment

In the UNH-Segment, a message is identified definitely. The EDITEC Subset "Remittance Advice" is based on the message type "REMADV".

0062 M an..14 MESSAGE REFERENCE NUMBER

In each transfer file, every message is consistently numbered in ascending order, beginning with „1“. This task is being taken over by the converter.

S009 M MESSAGE IDENTIFIER**0065** M an..6 Message Type Identifier

Constant Value:

„REMADV“	<i>Remittance Advice</i>
----------	--------------------------

0052 M an..3 Version Number of the Message Type

Constant Value:

„D“	<i>Draft Directory (Directory Draft)</i>
-----	--

0054 M an..3 Release Number of the Message Type

Constant Value:

„96B“	<i>UN/EDIFACT Draft Directory D.96B</i>
-------	---

0051 M an..2 Administrative Organisation, encoded

Constant Value:

„UN“	<i>United Nations UN/ECE/TRADE/WP.4</i>
------	---

0057 K an..6 Operational Code of the Organisation in Charge

Constant Value:

„ITEK31“

BGM M 1 Beginning of the Message

In the BGM-Segment, the purpose and name of the message are defined.

C002 K DOCUMENT/MESSAGE NAME

1001 K an..3 Document/Message Name, encoded

Constant Value:

„481“ <i>Remittance Advice</i>

C106 K DOCUMENT/MESSAGE IDENTIFICATION

1004 K an..35 Document/Message Number

Number of the Remittance Advice, provided by the sender of the document.

1225 K an..3 MESSAGE FUNCTION, ENCODED

The following codes are available:

„1“	<i>Cancellation</i>
„9“	<i>Original</i>
„31“	<i>Copy</i>

DTM M 2 Date/Time/Period Data

Im DTM-Segment muss das Datum des Zahlungsavis übertragen werden. Zusätzlich kann der Abrechnungszeitraum übertragen werden. In the DTM-Segment the date of the remittance advice has to be transferred. In addition, the settlement period may be transferred.

C507 M DATE/TIME/PERIOD DATA**2005** M an..3 Date/Time/Period Data, Qualifier

The following codes are available:

„137“	<i>Date/Time of Remittance Advice</i>
„263“	<i>Settlement Period</i>

Implementation Note:

The indication of the settlement period is important and necessary. In Germany, the settlement period should always be sent under the Qualifier „263“ and in the format „711“ YYYYMMDD-YYYYMMDD.

2380 K an..35 Date/Time/Period Data

Date of Remittance Advice/Settlement Period, formatted as indicated in data element 2379.

2379 K an..3 Date/Time/Period Data, Format, Qualifier

The following codes are available:

„102“	<i>Format: YYYYMMDD</i>
„711“	<i>Format: YYYYMMDD-YYYYMMDD (only if settlement period has been chosen in DE 2005)</i>

FII K 2 Credit Institution

In this segment, the bank account of both the paying and the receiving bank/credit institute are indicated.

3035 M an..3 PARTICIPANT, QUALIFIER

The following codes are available:

„PB“	paying bank
„RB“	receiving bank

C078 K ACCOUNT DATA

3194 K an..35 Account Number

3192 K an..35 Account Holder

3192 K an..35 Account Holder

C088 K CREDIT INSTITUTE-IDENTIFICATION

3433 K an..11 Bank, Identification

1131 K an..3 Codelist, Qualifier

Constant Value:

„25“	Bank Identification (Bank Identification Number)
------	--

3055 K an..3 Administrative Organisation, encoded

Constant Value:

„5“	ISO (International Organisation for Standardisation)
-----	--

Implementation Note:

In this segment, the paying and receiving credit institute have to be transferred with the codes stated above.

PAI K 1 Remittance Data

This segment serves to specify the medium of exchange.

C534 M DETAILS OF REMITTANCE

4439 *Is not used in the subset.*

4431 *Is not used in the subset.*

4461 K an..3 Medium of Exchange, encoded

The following codes are available:

„20“	<i>Cheque</i>
„21“	<i>Bank bill</i>
„31“	<i>Transfer of debit advice/Bank collection</i>
„42“	<i>Payment to account/transfer</i>
„70“	<i>Bill from the creditor to the debtor (commercial bill)</i>

Implementation Note:

Please transfer the medium of exchange / the means of remittance according to the code list above.

Segment Group 1 K 5

This segment group contains the NAD-Segment and segment group 2 and serves the indication of the partners involved in the message and their contact persons.

NAD M 1 Name and Address

In the NAD-Segment data concerning the identification of the partners involved is transferred as well as important address information.

3035 M an..3 PARTNER, QUALIFIER

The following codes are available:

„PE“	Recipient of remittance
„PR“	Payer of remittance
„BY“	Buyer *
„SU“	Supplier *

** The codes „BY“ (for buyer) and „SU“ (for supplier) are only used in case of a central processing business.*

Explanation:

Code BY

The code BY is used to indentify buyers of goods and services.

Implementation Note:

If, in case of a central processing business, the indication of the buyer needs a new exchange file each time, one should abstain from the indication of the buyer.

In this case, the recipient of the remittance or the supplier can identify the buyer by the bill number in your IT system.

C082 K IDENTIFICATION OF THE PARTNER**3039 M an..35 Partner Identification Number, encoded**

In dependence to the qualifier stated above, the identification number of the partner is stated here.

1131 Is not used in the subset.

3055 K an..3 Administrative Organisation, encoded

The following codes are available:

„9“	EAN (CCG as the German publisher of the ILN-Numbers)
„ZZZ“	bilaterally agreed upon (customer number and respectively supplier number)

Segment Group 2 K 1

This segment group contains the CTA-Segment for the indication of a contact person and the COM-Segment for the indication of a communication connection with the contact person.

CTA M 1 Communication Partner

In the CTA-Segment the name of the respective official in charge responsible for this message may be transferred for both, sender and recipient.

3139 *IS NOT USED IN THE SUBSET.*

C056 K DATA ON THE DEPARTMENT OR THE OFFICIAL IN CHARGE

3413 *Is not used in the subset.*

3412 K an..35 Department or Official in Charge
Name des Sachbearbeiters oder der Abteilung.

COM K 4 Communication Connection

A Segment for the indication of the communication number and type of the official in charge or the department referred to in the CTA-Segment.

C076 M COMMUNICATION CONNECTION

3148 M an..512 Communication Number

3155 M an..3 Communication Channel/Service, Qualifier
The following codes are available:

„AH“	Internet Address (World Wide Web)
„EM“	E-Mail
„FX“	Facsimile
„TE“	Telephone

Segment Group 2 End

Segment Group 1 End

Segment Group 3 K 1

This segment group contains the CUX-Segment and serves the transfer of a reference currency for the complete Remittance Advice.

CUX M 1 Currency Data

The CUX-Segment transfers data concerning currency units.

C504 K CURRENCY DATA**6347 M an..3 Currency Data, Qualifier**

Constant Value:

<i>„2“Reference Currency</i>

6345 K an..3 Currency, encoded

The most important currency codes according to ISO 4217:

<i>„DKK“</i>	<i>Danish Krone</i>
<i>„EUR“</i>	<i>Euro</i>
<i>„GBP“</i>	<i>British Pound</i>
<i>„CAD“</i>	<i>Canadian Dollar</i>
<i>„NOK“</i>	<i>Norwegian Krone</i>
<i>„PLZ“</i>	<i>Polish Zloty</i>
<i>„SEK“</i>	<i>Swedish Krone</i>
<i>„CHF“</i>	<i>Swiss Franc</i>
<i>„USD“</i>	<i>US Dollar</i>

Segment Group 3 End

Segment Group 4 K 9999

This segment group contains data concerning the documents which have been transmitted electronically or in printed form. The documents are to be understood according to the message description and may also identify the following processing.

DOC M 1 Document/ Message Details

This segment contains data concerning the documents to which the Remittance Advice refers to. The line item section of the Remittance Advice is constituted by repetitions of the DOC-Segment.

C002 M DOCUMENT/MESSAGE NAME**1001 K an..3 Document/Message Name, encoded**

The following codes are available:

„83“	Credit advice (Debit Credit Advice)
„325“	Pro forma invoice
„380“	Invoice
„381“	Credit advice
„383“	Debit advice for goods and services
„31e“	Activity credit advice * (EANCOM Code 83)
„32e“	Activity accounting * (EANCOM Code 84)
„33i“	Bonus *

*The codes marked by * do not adhere to any UN/ EDIFACT code list.*

Implementation Note:**Code 83 Credit Advice (Debit Credit Advice)**

This document serves as a credit advice for an unauthorised debit advice/invoice reduction by the wholesale trade.

Code 325 Pro forma invoice (payment on account)

With this document, payments on account are brought into account. The pro forma invoice is only used in a central processing business.

Code 380 Invoice *The Invoice serves as a request to pay for delivered goods or service activities according to arranged conditions.*

Code 381 Credit Advice *The credit advice serves the indication of information concerning credit advices of goods and service activities for the beneficiary.*

Code 383 Debit advice for goods and services

This document indicates a debit to the supplier, such as for defective goods.

Code 31e Activity Credit Advice

This document transfers credit advice information concerning financial corrections.

Code 32e Activity Accounting

This document transfers debit information concerning financial corrections..

Code 33i Bonus

This document transfers separate bonuses.

C503 K DOCUMENT/MESSAGE DETAILS

1004 K an..35 Document/Message Number
Number of the document referred to in data element 1001.

Implementation Note:

It is the numbers of invoices and credit advices transferred by the supplier that are referred to. It is important for the automatic processing, that the number transferred by the supplier is transferred exactly and without any change.

MOA M 4 Amount of Money
This segment serves the Indication of an amount of money.

C516 M AMOUNT OF MONEY

5025 M an..3 Type of Amount of Money, Qualifier
The following codes are available:

„52“	Allowance (Skonto)
„77“	Invoice amount
„143“	Transfer amount
„265“	Provision amount (contingency reserves provisions)*

**Code „265“ Provisions amount (including taxes) is used only in case of a central processing business.*

5004 K n..18 Amount of Money

DTM K 1 Date/Time/Period Data
Date/Time of the document indicated in the DOC-Segment.

C507 M DATE/TIME/PERIOD DATA

2005 M an..3 Date/Time/Period Data, Qualifier
Constant Value:

„137“	Document/Message Date/Time
-------	----------------------------

2380 K an..35 Date/Time/Period Data
Date formatted as indicated in data element 2379.

2379 K an..3 Date/Time/Period Data, Format, Qualifier
Constant Value:

„102“	Format: YYYYMMDD
-------	------------------

RFF **K 1** **Reference Data**

In the RFF-Segment, the reference number for an additional partner identification may be transferred. This number serves for referencing the customer on the level of documents and is necessary for central processing businesses.

C506 **M** **REFERENCE DATA****1153** **M an..3** **Reference, Qualifier**

The following code is available:

„API“	<i>Additional partner identification</i>
-------	--

Reference number for an additional partner identification. This may be an internal number, by means of which a partner identifies his trade partners.

1154 **K an..35** **Reference Number**

Additional Identification number of the buyer on the level of documents.

Implementation Note:

If, in case of a central processing business, the indication of the buyer needs a new exchange file each time, one should abstain from the indication of the buyer.

In this case, the recipient of the remittance or the supplier can identify the buyer by the bill number in your IT system.

Segment Group 4 **End**

UNS M 1 Section Control Segment

The UNS-Segment is a service-segment and marks the separation of line item and sum part.

0081 M a1 Section Designation, encoded

Constant Value:

<i>„S“ Separation of position/line item- and sum part</i>

MOA M 1 Amount of Money

This segment serves for the indication of an amount of money.

C516 M AMOUNT OF MONEY

5025 M an..3 Type of Amount of Money, Qualifier

The following codes are available:

<i>„128“ Complete Amount</i>

5004 K n..18 Amount of Money

UNT	M 1	Message End Segment	<i>In the UNT-Segment, the number of segments and a message reference number are transferred for the purpose of a plausibility verification.</i>
0074	M n..6	MESSAGE REFERENCE NUMBER	<i>Number of segments transferred with this message, including the segments UNH and UNT.</i>
0062	M an..14	NACHRICHTEN-REFERENZNUMMER	<i>Here, the same reference number as in UNH / 0062 has to be entered. This number is compared to the entry in the Segment UNH at the stage of the reception of the message.</i>

UNZ	M 1	User Data End Segment	<i>In the UNZ-Segment a data exchange counter and a data exchange reference may be transferred.</i>
0036	M n..6	DATA EXCHANGE COUNTER	<i>Here, the number of messages is entered in the usage data frame UNB...UNZ.</i>
0020	M an..14	DATA EXCHANGE REFERENCE	<i>The same reference number as in UNB / 0020 has to be entered here. This number is compared to the entry in Segment UNH at the stage of reception of the message.</i>

Message Example:

UNA:+.? '
UNB+UNOC:3+4399901598867:52+Supplier-DE:52+050401:1129+1+PSWD'
UNH+1+REMADV:D:96B:UN:ITEK31'
BGM+481+471103854'
DTM+137:20050401:102'
FII+PB+45310987:Mr. Paymaster:X+Number-Bank::5'
FII+RB+65420345:Mme Example:X+Example-Bank::5'
PAI+::42'
NAD+PE+76453023::ZZZ'
CTA++:Mme Example'
COM+www.company-example.de:AH'
COM+example@company-example.de:EM'
COM+09847284:TE'
COM+09847200:FX'
NAD+PR+4399901598867::9'
CTA++:Mr Paymaster'
COM+paymasterHell@customer.net:AH'
CUX+2:EUR'
DOC+380+6711029486'
MOA+143:2000.00'
DTM+137:20050315:102'
UNS+S'
MOA+128:2000.00'
UNT+32+1'
UNZ+1+1'